

SURFACE PUMPS

RESIDENTIAL & LIGHT COMMERCIAL



RESIDENTIAL & LIGHT COMMERCIAL SURFACE PUMPS

Jet Pumps.....	2
SWJ (Cyclone) Series.....	3
Shallow Well VersaJet	4
Shallow Well VersaJet Pro.....	6
Convertible VersaJet.....	8
Convertible VersaJet Pro	13
Convertible Pro (RM2) Series	18
Convertible C Series.....	20
Self-Priming Pumps	22
Turf Boss, 1-2 HP.....	23
Turf Boss, 3-5 HP	25
FBSE Series	27
Booster Pumps	29
MH Series	30
BT4 Series	35
BT4 Series 56C Pump Ends for 56C Keyed Shaft Motors	41
Single Stage Centrifugal Pumps	42
A Series.....	43
DR Series.....	45
Inline Controls	50
FLW.....	51
SWC & SWP	52
ADJ	53
CTL	54
Inline Pressure Boosting	56
Inline 400	56
Inline Constant Pressure	59
Inline 1100.....	59
Inline Control Packages	62
MH & VersaJet with SWC Control	62

For the most up-to-date product information, visit franklinwater.com.

JET PUMPS

Franklin's jet pumps can be configured for a variety of pressures and flow choices, and are ideal for supplying fresh water to homes, cabins, farms, or practically anywhere that has a suction lift of 100 feet or less. The material options range from cast iron to stainless steel, making the pumps a contractor's choice for any job.

PRODUCT FAMILY

- Shallow Well VersaJet & VersaJet Pro
- SWJ Series
- Convertible VersaJet & VersaJet Pro
- Convertible Pro (RM2) Series
- C Series
- Jet Pump Accessories

APPLICATIONS

- Fresh Water Supply lifting from depths of up to 100' with deep well injector; 25' max shallow well



Convertible Pro (RM2) Series



Shallow Well VersaJet



Shallow Well VersaJet Pro



Convertible VersaJet & VersaJet Pro



C Series



SWJ Series

JET PUMPS - SWJ (CYCLONE) SERIES

FEATURES

- Non-corrosive thermoplastic construction
- Replaceable in-line nozzle design for maximum hydraulic efficiency and ease of service
- Self-cleaning, anti-clogging injector screen
- Thermoplastic impeller and diffuser ensure increased hydraulic performance
- Floating stainless steel eye seal for maximum performance and efficiency
- Phenolic/Ceramic mechanical shaft seal with nitrile elastomers and 18-8SS hardware ensures positive sealing and longevity
- Square-flange mounting provides easy serviceability without disturbing the plumbing
- Built-in drain plug for easy winterizing and servicing
- Pressure switch is installed and set at 30/50 psi
- Handles water temperatures up to 120 °F/49 °C; 75 psi maximum working pressure
- 1-1/4" inlet and 1" outlet - all models



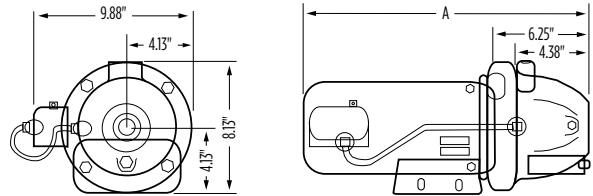
ORDERING INFORMATION

Model	HP	Voltage	S.F.A.	Pump Unit	
				Order No.	Wt. (lbs)
FSWJ05P	1/2	115/230	12.4/6.2	91090005	23
FSWJ07P	3/4		14.8/7.4	91090007	31
FSWJ10P	1		13.0/6.7	91093010	35

DIMENSIONS

Model	HP	A
FSWJ05P	1/2	17.63"
FSWJ07P	3/4	18.25"
FSWJ10P	1	16.90"

NOTE: Dimensions will vary according to motor manufacturer



PERFORMANCE

Model	HP	Total Suction Lift (ft)	Discharge Pressure (PSI)								Shut-off Pressure (PSI)
			30	35	40	45	50	55	60	65	
			Gallons Per Minute (GPM)								
FSWJ05P	1/2	5	12.0	10.7	9.1	7.2	4.9	2.8	0.9	-	62
		10	-	10.0	8.4	6.3	3.9	1.9	-	-	60
		15	-	-	7.7	5.3	3.0	0.9	-	-	57
		20	-	-	6.4	4.3	2.2	0.2	-	-	55
		25	-	-	5.0	3.3	1.4	-	-	-	53
FSWJ07P	3/4	5	-	16.0	14.4	12.6	10.6	8.3	5.0	1.8	68
		10	-	-	13.5	11.8	9.7	6.9	3.6	0.2	65
		15	-	-	-	11.0	8.8	5.4	2.2	-	63
		20	-	-	-	9.0	7.2	3.9	0.8	-	60
		25	-	-	-	-	5.6	2.3	-	-	58
FSWJ10P	1	5	-	-	14.2	12.0	9.7	7.4	4.9	2.4	69.6
		10	-	-	13.2	11.4	8.9	6.5	3.9	-	67.9
		15	-	-	12.2	10.7	8.1	5.5	2.9	-	66.1
		20	-	-	-	-	7.5	4.9	2.3	-	64.8
		25	-	-	-	-	6.9	4.2	1.7	-	63.5

JET PUMPS - SHALLOW WELL VERSAJET

FEATURES

- Revolutionary “Quick-Change” jet nozzle replacement system allows for easy customization of the pump; performance can be quickly changed from a high pressure to high flow set-up without removing the plumbing or opening the case
- Impeller (with stainless steel insert), diffuser, jet nozzle, and venturi all molded with Modified PPO, a material that increases efficiency and hydraulic performance
- Phenolic/Ceramic mechanical shaft seal with nitrile elastomers and 18-8SS hardware ensures positive sealing and longevity
- Heavy-duty cast iron case includes both pressure and drain ports
- Floating stainless steel eye seal provides maximum performance and efficiency
- Powered by high quality, industry proven, UL778 approved, indoor/outdoor square-flange single phase motors
- Pressure switch installed and set at 30/50 psi
- Water temperatures up to 120 °F/49 °C; 75 psi maximum working pressure
- 1-1/4" inlet and 1" outlet - all models



ORDERING INFORMATION

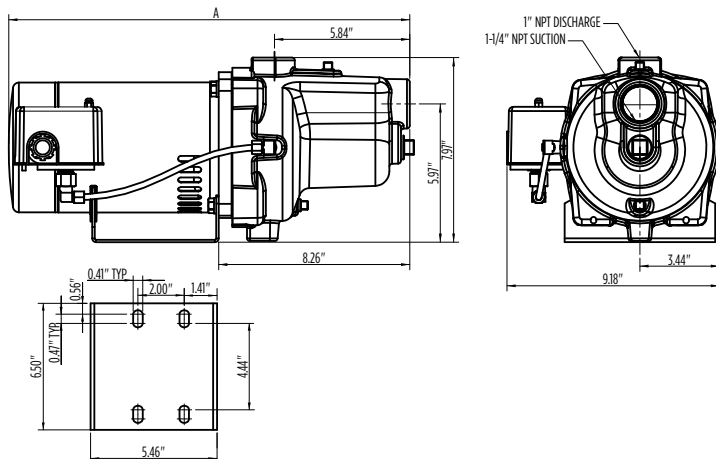
Model	HP	Voltage	S.F.A.	Pump Unit	
				Order No.	Wt. (lbs)
FVJ05CI	1/2	115/230	9.4/4.7	91180005	31
FVJ07CI	3/4		12.4/6.2	91180007	34
FVJ1CI	1		14.8/7.4	91180010	51
FVJ15CI	1-1/2		19.9/9.95	91180015	56

DIMENSIONS

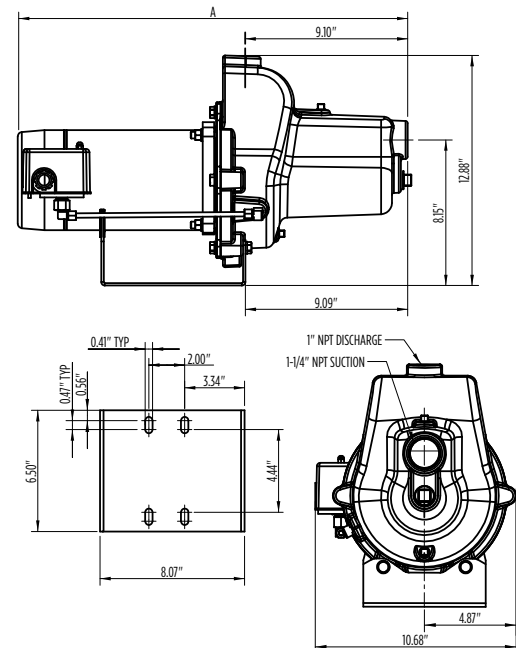
Model	HP	A
FVJ05CI	1/2	17.25"
FVJ07CI	3/4	18.00"
FVJ1CI	1	21.78"
FVJ15CI	1-1/2	22.66"

NOTE: Dimensions will vary according to motor manufacturer

1/2 AND 3/4 HP VERSAJET



1 AND 1.5 HP VERSAJET



JET PUMPS - SHALLOW WELL VERSAJET

SHALLOW-WELL PERFORMANCE

1" Dis. x 1-1/4" Suc.			Discharge Pressure (PSI)						Shut-off Pressure (PSI)
Model	Nozzle	Total Suction Lift (ft)	10	20	30	40	50	60	
			Gallons Per Minute (GPM)						
FVJ05CI	Nozzle B (Standard)	5	10.8	10.5	10.1	8.5	4.9	2.1	70
		10	9.4	9.1	8.7	7.5	4.1	1.6	
		15	8.0	7.7	7.4	6.5	3.4	1.1	
		20	6.2	6.0	5.7	5.3	2.6	0.5	
	Nozzle C (High Pressure)	25	4.4	4.3	4.1	4.0	1.8	-	86
		5	9.8	8.9	8.3	7.6	6.3	4.0	
		10	8.3	7.5	7.1	6.6	5.7	3.5	
		15	6.8	6.2	5.9	5.7	5.1	3.0	
	Nozzle A (High Flow)	20	5.3	5.0	4.8	4.6	4.3	2.6	47
		25	3.8	3.8	3.7	3.6	3.5	2.2	
		5	12.8	12.5	12.1	5.2	-	-	
		10	11.4	11.1	10.8	3.6	-	-	
FVJ07CI	Nozzle C (Standard)	15	10.0	9.8	9.6	1.9	-	-	70
		20	8.0	7.7	6.8	1.0	-	-	
		25	6.0	5.7	4.1	-	-	-	
		5	16.3	15.6	15.1	14.1	9.0	3.8	
	Nozzle D (High Pressure)	10	14.2	13.6	13.1	12.5	7.8	2.9	73
		15	12.1	11.6	11.2	10.8	6.5	2.0	
		20	9.5	9.1	8.9	8.7	5.0	1.0	
		25	7.0	6.7	6.7	6.6	3.5	-	
	Nozzle A (High Flow)	5	15.8	15.2	14.7	14.1	9.6	4.8	47
		10	13.9	13.2	12.8	12.4	8.5	3.9	
		15	11.9	11.1	10.8	10.6	7.5	3.0	
		20	9.2	8.8	8.6	8.5	6.2	1.8	
FVJ1CI	Nozzle B (Standard)	25	6.5	6.5	6.4	6.4	4.8	0.6	64
		5	18.9	18.7	18.4	11.6	-	-	
		10	16.8	16.6	16.3	8.0	-	-	
		15	14.8	14.5	14.2	4.4	-	-	
	Nozzle C (High Pressure)	20	11.8	11.6	11.2	2.2	-	-	71
		25	8.8	8.7	8.1	-	-	-	
		5	21.5	21.0	20.7	20.4	12.8	3.9	
		10	19.2	18.8	18.5	18.2	11.3	2.0	
	Nozzle A (High Flow)	15	16.9	16.6	16.3	16.0	9.7	-	54
		20	13.6	13.4	13.2	13.0	7.4	-	
		25	10.4	10.3	10.1	10.0	5.0	-	
		5	20.4	19.8	19.4	19.1	14.6	7.7	
FVJ15CI	Nozzle B (Standard)	10	18.1	17.6	17.3	17.1	13.6	6.5	66
		15	15.9	15.4	15.2	15.0	12.6	5.2	
		20	12.7	12.4	12.2	12.1	10.8	3.3	
		25	9.5	9.3	9.2	9.1	9.0	1.4	
	Nozzle C (High Pressure)	5	23.3	23.0	22.7	20.2	7.6	-	72
		10	20.7	20.3	20.0	17.4	3.8	-	
		15	18.1	17.7	17.3	14.6	-	-	
		20	14.8	14.5	14.2	10.8	-	-	
	Nozzle A (High Flow)	25	11.5	11.3	11.1	7.0	-	-	59
		5	29.0	28.6	28.2	27.8	24.0	11.6	
		10	25.5	25.0	24.8	24.5	21.2	7.7	
		15	21.9	21.5	21.3	21.1	18.5	3.8	
Nozzle C (High Pressure)	20	17.6	17.2	16.9	16.7	13.8	1.9	72	
	25	13.2	12.9	12.6	12.3	9.2	-		
	5	28.7	28.2	27.9	27.6	26.8	15.5		
	10	25.3	24.8	24.4	24.0	23.4	13.3		
Nozzle A (High Flow)	15	21.9	21.4	20.9	20.5	20.1	11.2	59	
	20	17.4	17.1	16.8	16.6	16.3	7.0		
	25	13.0	12.9	12.7	12.6	12.5	2.8		
	5	30.3	29.9	29.5	29.2	19.5	-		
Nozzle A (High Flow)	10	26.9	26.6	26.2	25.9	15.9	-	59	
	15	23.6	23.3	22.9	22.6	12.4	-		
	20	19.0	18.8	18.5	17.9	6.2	-		
	25	14.5	14.3	14.1	13.2	-	-		

JET PUMPS - SHALLOW WELL VERSAJET PRO

FEATURES

- Revolutionary “Quick-Change” jet nozzle replacement system allows for easy customization of the pump; performance can be quickly changed from a high pressure to high flow set-up without removing the plumbing or opening the case
- Impeller (with stainless steel insert), diffuser, jet nozzle, and venturi all molded with Modified PPO, a material that increases efficiency and hydraulic performance
- Phenolic/Ceramic mechanical shaft seal with nitrile elastomers and 18-8SS hardware ensures positive sealing and longevity
- Heavy-duty cast iron case features both pressure and drain ports
- Floating stainless steel eye seal for maximum performance and efficiency
- Powered by high quality, industry proven, UL778 approved, indoor/outdoor square-flange motors; both single and three phase motors, the latter inverter duty rated
- Pressure switch installed and set at 30/50 psi (not included on three phase motors)
- Water temperatures up to 120 °F/49 °C; 75 psi maximum working pressure
- 1-1/4" inlet and 1" outlet - all models



ORDERING INFORMATION

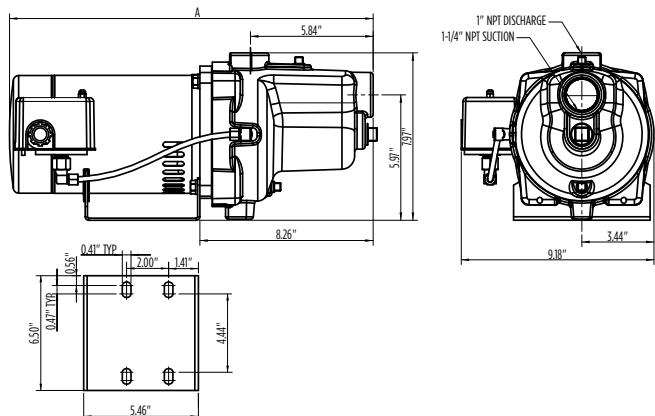
Model	HP	Phase	Voltage	S.F.A.	Pump Unit	
					Order No.	Wt. (lbs)
FVJ05CI-P	1/2	1	115/230	12.4/6.2	91181005	34
FVJ07CI-P	3/4			14.8/7.4	91181007	51
FVJ1CI-P	1			19.9/9.95	91181010	56
FVJ05CI-T	1/2	3	208-230/460	3.0/1.5	91183005	34
FVJ07CI-T	3/4			3.6/1.8	91183007	51
FVJ10CI-T	1			4.7/2.35	91183010	56

DIMENSIONS

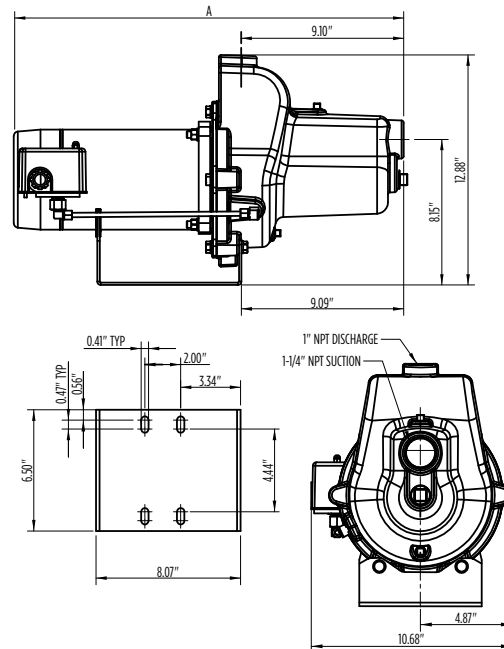
Model	HP	A
FVJ05CI-P	1/2	18.00"
FVJ07CI-P	3/4	21.78"
FVJ1CI-P	1	22.66"

NOTE: Dimensions will vary according to motor manufacturer

1/2 VERSAJET PRO



1 VERSAJET PRO



JET PUMPS - SHALLOW WELL VERSAJET PRO

SHALLOW-WELL PERFORMANCE

1" Dis. x 1-1/4" Suc.			Discharge Pressure (PSI)						Shut-off Pressure (PSI)
Model	Nozzle	Total Suction Lift (ft)	10	20	30	40	50	60	
			Gallons Per Minute (GPM)						
FVJ05CI-P	Nozzle C (Standard)	5	16.3	15.6	15.1	14.1	9.0	3.8	70
		10	14.2	13.6	13.1	12.5	7.8	2.9	
		15	12.1	11.6	11.2	10.8	6.5	2.0	
		20	9.5	9.1	8.9	8.7	5.0	1.0	
		25	7.0	6.7	6.7	6.6	3.5	-	
	Nozzle D (High Pressure)	5	15.8	15.2	14.7	14.1	9.6	4.8	73
		10	13.9	13.2	12.8	12.4	8.5	3.9	
		15	11.9	11.1	10.8	10.6	7.5	3.0	
		20	9.2	8.8	8.6	8.5	6.2	1.8	
		25	6.5	6.5	6.4	6.4	4.8	0.6	
	Nozzle A (High Flow)	5	18.9	18.7	18.4	11.6	-	-	47
		10	16.8	16.6	16.3	8.0	-	-	
15		14.8	14.5	14.2	4.4	-	-		
20		11.8	11.6	11.2	2.2	-	-		
25		8.8	8.7	8.1	-	-	-		
FVJ07CI-P	Nozzle B (Standard)	5	21.5	21.0	20.7	20.4	12.8	3.9	64
		10	19.2	18.8	18.5	18.2	11.3	2.0	
		15	16.9	16.6	16.3	16.0	9.7	-	
		20	13.6	13.4	13.2	13.0	7.4	-	
		25	10.4	10.3	10.1	10.0	5.0	-	
	Nozzle C (High Pressure)	5	20.4	19.8	19.4	19.1	14.6	7.7	71
		10	18.1	17.6	17.3	17.1	13.6	6.5	
		15	15.9	15.4	15.2	15.0	12.6	5.2	
		20	12.7	12.4	12.2	12.1	10.8	3.3	
		25	9.5	9.3	9.2	9.1	9.0	1.4	
	Nozzle A (High Flow)	5	23.3	23.0	22.7	20.2	7.6	-	54
		10	20.7	20.3	20.0	17.4	3.8	-	
15		18.1	17.7	17.3	14.6	-	-		
20		14.8	14.5	14.2	10.8	-	-		
25		11.5	11.3	11.1	7.0	-	-		
FVJ1CI-P	Nozzle B (Standard)	5	29.0	28.6	28.2	27.8	24.0	11.6	66
		10	25.5	25.0	24.8	24.5	21.2	7.7	
		15	21.9	21.5	21.3	21.1	18.5	3.8	
		20	17.6	17.2	16.9	16.7	13.8	1.9	
		25	13.2	12.9	12.6	12.3	9.2	-	
	Nozzle C (High Pressure)	5	28.7	28.2	27.9	27.6	26.8	15.5	72
		10	25.3	24.8	24.4	24.0	23.4	13.3	
		15	21.9	21.4	20.9	20.5	20.1	11.2	
		20	17.4	17.1	16.8	16.6	16.3	7.0	
		25	13.0	12.9	12.7	12.6	12.5	2.8	
	Nozzle A (High Flow)	5	30.3	29.9	29.5	29.2	19.5	-	59
		10	26.9	26.6	26.2	25.9	15.9	-	
15		23.6	23.3	22.9	22.6	12.4	-		
20		19.0	18.8	18.5	17.9	6.2	-		
25		14.5	14.3	14.1	13.2	-	-		

JET PUMPS - CONVERTIBLE VERSAJET

FEATURES

- Heavy-duty cast iron pump case includes (3) 1" discharge/pressure ports for optimum installation flexibility, plus a 1/4" NPT port for pressure gauge mounting
- Each rating is available with one of (5) factory mounted suction flanges to enable the pump to replace a deep well pump unit installed in the field without altering the existing suction and pressure pipe connections; includes vacuum port for AVC connection
- Adjustable height pump base further enables matching the pump to existing plumbing
- Thermoplastic impeller and diffuser are precision molded for high efficiency and dependability
- Phenolic/Ceramic mechanical shaft seal with nitrile elastomers and 18-8SS hardware ensures positive sealing and longevity
- Adjustable pressure switch is factory set at 30/50 psi
- Water temperatures up to 120 °F/49 °C; 75 psi maximum working pressure
- Powered by high quality, industry proven, UL778 approved, indoor/outdoor square-flange motors



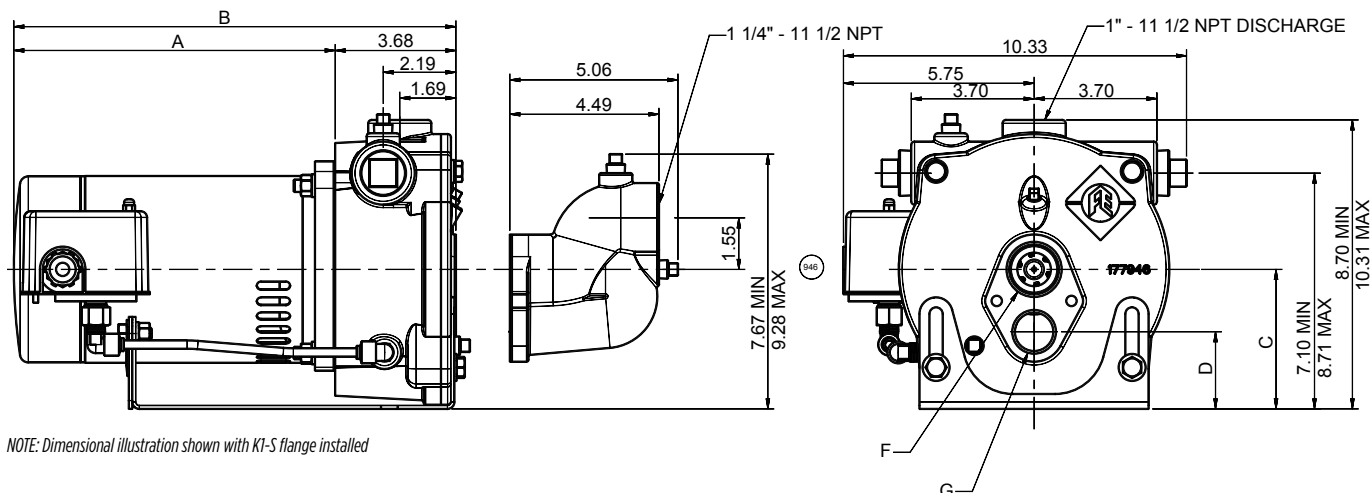
ELECTRICAL INFORMATION

Model	HP	Voltage	S.F.A.
FCVJ05CI	1/2	115/230	9.4/4.7
FCVJ07CI	3/4		12.4/6.2
FCVJ10CI	1		14.8/7.4
FCVJ15CI	1-1/2		19.9/9.95

NOTE: Deep-well installations require a 4" inside well diameter and control valve 96150951

DIMENSIONS

Model	HP	A	B
FCVJ05CI	1/2	9.63"	13.31"
FCVJ07CI	3/4	10.38"	14.06"
FCVJ10CI	1	11.00"	13.68"
FCVJ15CI	1-1/2	11.88"	15.56"



NOTE: Dimensional illustration shown with K1-S flange installed

JET PUMPS - CONVERTIBLE VERSAJET

SHALLOW-WELL PERFORMANCE

CVJ Series				Discharge Pressure (PSI)						Shut-off Pressure (PSI)
Model	HP	Injector Kit	Total Suction Lift (ft)	30	40	50	60	70	80	
				Gallons Per Minute (GPM)						
FCVJ05CI	1/2	SW1	5	11.5	7.0	3.9	-	-	-	61
			10	10.2	6.4	3.2	-	-	-	59
			15	9.1	5.8	2.4	-	-	-	57
			20	8.0	5.1	1.7	-	-	-	55
			25	6.5	4.4	0.8	-	-	-	53
		SW2	5	10.6	6.6	4.6	2.4	-	-	71
			10	9.3	6.2	4.1	1.9	-	-	69
			15	8.2	5.7	3.7	1.4	-	-	67
			20	6.8	5.2	3.1	1.0	-	-	65
		SW3	25	5.2	4.8	2.6	0.6	-	-	63
			5	8.0	5.8	4.6	3.2	1.9	0.8	88
			10	6.9	5.5	4.3	2.9	1.7	0.6	86
15	5.9		5.2	4.0	2.7	1.4	-	84		
20	-		4.7	3.6	2.4	1.2	-	82		
FCVJ07CI	3/4	SW5	25	-	3.7	3.3	2.1	1.0	-	80
			5	-	-	-	-	-	-	-
			10	16.7	14.0	8.2	2.8	-	-	65
			15	-	12.7	6.8	1.6	-	-	63
			20	-	11.3	5.7	-	-	-	61
		SW6	25	-	8.8	4.6	-	-	-	59
			5	11.8	11.8	8.6	5.3	2.9	0.8	85
			10	-	10.2	7.8	4.7	2.5	-	83
			15	-	8.7	7.0	4.2	2.2	-	81
		SW7	20	-	7.1	6.2	3.8	1.7	-	79
			25	-	-	5.5	3.4	1.2	-	77
			5	-	8.2	7.9	5.7	3.8	2.4	101
10	-		7.1	6.9	5.3	3.6	2.2	99		
15	-		-	6.1	4.8	3.3	1.9	97		
FCVJ10CI	1	SW4	20	-	-	5.1	4.4	3.1	1.7	95
			25	-	-	4.1	4.0	2.7	1.4	93
			5	21.4	18.6	11.8	5.2	-	-	68
			10	18.8	17.1	10.4	3.8	-	-	66
		SW5	15	16.2	15.4	8.9	2.4	-	-	64
			20	13.4	13.4	7.5	0.8	-	-	61
			25	10.5	10.5	6.2	-	-	-	59
			5	18.7	18.5	13.0	7.7	2.8	-	76
		SW6	10	-	16.4	11.8	6.6	1.6	-	73
			15	-	14.2	10.7	5.4	-	-	71
			20	-	11.6	9.5	4.5	-	-	69
			25	-	9.0	8.4	3.6	-	-	67
5	-		11.7	11.1	7.8	5.2	3.1	98		
FCVJ15CI	1-1/2	SW4	10	-	10.3	10.2	7.2	4.8	2.8	96
			15	-	-	8.8	6.7	4.4	2.5	94
			20	-	-	7.3	6.2	4.0	2.1	92
			25	-	-	5.7	5.6	3.6	1.7	90
		SW5	5	-	21.3	20.5	13.5	6.6	-	81
			10	-	18.7	18.3	11.8	5.2	-	78
			15	-	16.0	15.9	10.1	3.8	-	76
			20	-	13.3	13.3	8.6	2.0	-	73
			25	-	10.5	10.5	-	-	-	71
		SW6	5	-	-	18.3	15.2	9.5	4.4	89
			10	-	-	16.1	13.8	8.5	3.4	87
			15	-	-	13.9	12.4	7.4	2.3	85
20	-		-	11.4	10.9	6.0	1.1	82		
SW6	25	-	-	8.8	8.8	4.7	-	80		
	5	-	-	11.4	11.3	9.3	6.7	118		
	10	-	-	-	10.1	8.6	6.2	116		
	15	-	-	-	8.7	8.0	5.7	113		
	20	-	-	-	7.2	7.1	5.3	111		
25	-	-	-	-	5.7	4.8	108			

JET PUMPS - CONVERTIBLE VERSAJET

DEEP-WELL PERFORMANCE

CVJ Series				Discharge Pressure (PSI)						Shut-off Pressure (PSI)			
Model	HP	Injector Kit	Total Suction Lift (ft)	30	35	40	45	50	55				
				Gallons Per Minute (GPM)									
FCVJ05CI	1/2	DW2	30	8.0	4.4	1.5	-	-	-	56			
			40	6.3	3.0	-	-	-	-	51			
			50	4.6	1.6	-	-	-	-	46			
			60	2.9	-	-	-	-	-	41			
			70	1.6	-	-	-	-	-	36			
			70	1.6	-	-	-	-	-	36			
		DW5	30	6.0	4.5	3.0	2.0	1.2	-	87			
			40	5.3	3.8	2.5	1.6	0.8	-	81			
			50	4.4	3.1	2.0	1.1	-	-	76			
			60	3.6	2.4	1.5	0.7	-	-	70			
			70	3.0	1.9	1.0	-	-	-	64			
			80	2.3	1.3	0.6	-	-	-	58			
FCVJ07CI	3/4	DW2	30	11.1	7.2	4.0	1.3	-	-	65			
			40	9.3	5.7	2.7	-	-	-	60			
			50	7.4	4.2	1.5	-	-	-	55			
			60	5.6	2.7	-	-	-	-	51			
			70	4.1	1.3	-	-	-	-	45			
			80	2.7	-	-	-	-	-	40			
			90	1.2	-	-	-	-	-	35			
			DW1	30	-	6.6	5.0	3.4	2.2	1.3	97		
				40	6.6	6.0	4.2	2.8	1.7	0.9	92		
		50		6.6	5.1	3.5	2.3	1.3	-	86			
		60		5.9	4.1	2.7	1.7	0.8	-	81			
		70		5.0	3.4	2.2	1.2	-	-	76			
		80		4.1	2.7	1.6	0.8	-	-	70			
		90		3.1	2.0	1.1	-	-	-	65			
		FCVJ10CI		1	DW2	30	12.2	9.9	6.3	3.5	0.8	-	74
						40	11.4	8.2	4.9	2.2	-	-	69
			50			9.7	6.5	3.5	0.8	-	-	64	
			60			7.9	4.8	2.1	-	-	-	59	
70	6.1		3.4			0.8	-	-	-	53			
80	4.3		2.0			-	-	-	-	48			
90	2.5		0.6			-	-	-	-	43			
DW4	30		-			7.9	5.9	4.1	2.7	1.4	94		
	40		7.9			6.9	5.0	3.4	2.1	0.9	88		
	50		7.5		5.8	4.1	2.6	1.4	-	83			
	60		6.6		4.7	3.2	1.9	0.8	-	77			
	70		5.5		3.9	2.5	1.3	-	-	71			
	80		4.4		3.1	1.7	0.6	-	-	66			
	90		3.3		2.3	1.0	-	-	-	60			
	FCVJ15CI		1-1/2		DW3	30	-	16.5	9.8	3.5	-	-	67
						40	-	13.0	6.9	1.0	-	-	62
50						-	9.4	4.1	-	-	-	57	
60						-	5.9	1.2	-	-	-	52	
DW2		30		-		12.2	10.3	7.0	4.1	1.5	87		
		40		-		11.4	8.6	5.5	2.8	-	82		
		50		-	9.7	6.9	4.0	1.4	-	76			
		60		-	8.2	5.2	2.5	-	-	71			
		70		-	6.6	3.8	1.3	-	-	66			
		80		-	4.9	2.5	-	-	-	60			
		90		-	3.3	1.1	-	-	-	55			
		DW4		30	-	7.9	7.8	6.3	4.8	3.3	111		
				40	-	7.9	7.3	5.4	4.0	2.6	105		
50				-	7.8	6.3	4.6	3.2	2.0	99			
60				-	7.0	5.2	3.7	2.4	1.3	93			
70				-	6.0	4.4	3.0	1.8	0.7	87			
80				-	5.1	3.6	2.3	1.2	-	82			
90				-	4.1	2.8	1.6	0.6	-	76			

JET PUMPS - CONVERTIBLE VERSAJET

ORDERING INFORMATION

REPLACEMENT DEEP WELL PUMPS

(Where the existing deep well injector assembly remains in the well, connected to the suction & pressure pipes and only the surface pump and motor are being replaced)

1. Select the replacement pump from the following chart, based upon the pump brand, series and horsepower rating of the unit being replaced. Please consult performance charts to verify new pump will meet design expectations.

Convertible Versajet with Suction Flange Factory Mounted				
Model	HP	Order Number	Suction Flange	Accepts SW Injector
CVJ05CI-S	1/2	96136005	K1-S	Yes
CVJ07CI-S	3/4	96136007		
CVJ10CI-S	1	96136010		
CVJ15CI-S	1-1/2	96136015		

NEW DEEP WELL PUMP INSTALLATIONS (MINIMUM 4" I.D. WELL REQUIRED)

1. Select the pump from the above chart after having consulted the performance charts to verify the desired flow and pressure will be achieved from the depth from which well water is to be lifted using the following deep well injector kit.
2. To maintain sufficient back-pressure on the deep well injector, a deep well control valve should be installed on the discharge line. (1" MNPT x 1" FNPT connections)

Deep Well Injector	Order Number
DW1-5	96152000

NOTE: This kit contains all nozzle & venturi combinations, plus instructions of how to choose and install the correct ones for your specific application

Deep Well Control Valve	Order Number
DW-CV	96150951



JET PUMPS - CONVERTIBLE VERSAJET

ORDERING INFORMATION (CONT.)

NEW OR REPLACEMENT SHALLOW WELL PUMP INSTALLATIONS

1. Select the pump with K1-S suction flange the from the following chart, based upon the horsepower rating and performance needed. Note that only the K1-S suction flange will allow the shallow well injector kit to bolt up to it successfully.

Convertible Versajet with Suction Flange Factory Mounted				
Model	HP	Order Number	Suction Flange	Accepts SW Injector
CVJ05CI-S	1/2	96136005	K1-S	Yes
CVJ07CI-S	3/4	96136007		
CVJ10CI-S	1	96136010		
CVJ15CI-S	1-1/2	96136015		

2. Order the following shallow well injector kit to fit the pump selected. This kit contains nozzles and venturi to enable it to fit all shallow well applications described in the performance charts.

Shallow Well Injector	Order Number
SW1-7	96151000

NOTE: This kit contains all nozzle & venturi combinations, plus instructions of how to choose and install the correct ones for your specific application

ALTERNATE SUCTION FLANGE KITS

1. Should an alternate suction flange kit be needed to retrofit a pump to enable it to serve a specific application, the following are available and include all necessary hardware for mounting.

Suction Flange Model	Order Number
K1-S (Sta-Rite)	96150946
K2-G (Goulds)	96150947
K3-F (F&W)	96150948
K4-M (Myers)	96150949
K5-J (Jacuzzi)	96150952

JET PUMPS - CONVERTIBLE VERSAJET PRO

FEATURES

- Heavy-duty cast iron pump case includes (3) 1" discharge/pressure ports for optimum installation flexibility, plus a 1/4" NPT port for pressure gauge mounting
- Each rating is available with one of (5) factory mounted suction flanges to enable the pump to replace a deep well pump unit installed in the field without altering the existing suction and pressure pipe connections; includes vacuum port for AVC connection
- Adjustable height pump base further enables matching the pump to existing plumbing
- Thermoplastic impeller and diffuser are precision molded for high efficiency and dependability
- Phenolic/Ceramic mechanical shaft seal with nitrile elastomers and 18-8SS hardware ensures positive sealing and longevity
- Adjustable pressure switch is factory set at 30/50 psi
- Water temperatures up to 120 °F/49 °C; 75 psi maximum working pressure
- Powered by high quality, industry proven, UL778 approved, indoor/outdoor square-flange motors



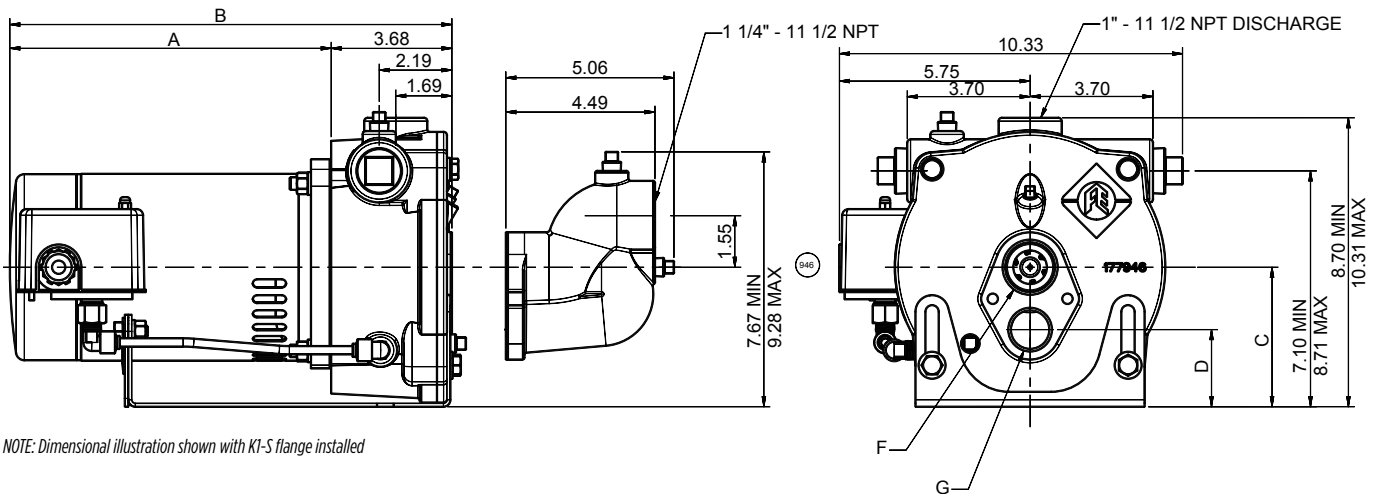
ELECTRICAL INFORMATION

Model	HP	Voltage	S.F.A.
FCVJ05CI-P	1/2	115/230	12.4/6.2
FCVJ07CI-P	3/4		14.8/7.4
FCVJ10CI-P	1		19.9/9.95

NOTE: Deep-well installations require a 4" inside well diameter and control valve 96150951

DIMENSIONS

Model	HP	A	B
FCVJ05CI-P	1/2	10.38"	14.06"
FCVJ07CI-P	3/4	11.00"	13.68"
FCVJ10CI-P	1	11.88"	15.56"



NOTE: Dimensional illustration shown with K1-S flange installed

JET PUMPS - CONVERTIBLE VERSAJET PRO

SHALLOW-WELL PERFORMANCE

CVJ Pro Series				Discharge Pressure (PSI)						Shut-off Pressure (PSI)	
Model	HP	Injector Kit	Total Suction Lift (ft)	30	40	50	60	70	80		
				Gallons Per Minute (GPM)							
FCVJ05CI-P	1/2	SW5	5	-	-	-	-	-	-	-	-
			10	16.7	14.0	8.2	2.8	-	-	65	
			15	-	12.7	6.8	1.6	-	-	63	
			20	-	11.3	5.7	-	-	-	61	
		25	-	8.8	4.6	-	-	-	59		
		SW6	5	11.8	11.8	8.6	5.3	2.9	0.8	85	
			10	-	10.2	7.8	4.7	2.5	-	83	
			15	-	8.7	7.0	4.2	2.2	-	81	
			20	-	7.1	6.2	3.8	1.7	-	79	
		25	-	-	5.5	3.4	1.2	-	77		
		SW7	5	-	8.2	7.9	5.7	3.8	2.4	101	
			10	-	7.1	6.9	5.3	3.6	2.2	99	
15	-		-	6.1	4.8	3.3	1.9	97			
20	-		-	5.1	4.4	3.1	1.7	95			
25	-	-	4.1	4.0	2.7	1.4	93				
FCVJ07CI-P	3/4	SW4	5	21.4	18.6	11.8	5.2	-	-	68	
			10	18.8	17.1	10.4	3.8	-	-	66	
			15	16.2	15.4	8.9	2.4	-	-	64	
			20	13.4	13.4	7.5	0.8	-	-	61	
		25	10.5	10.5	6.2	-	-	-	59		
		SW5	5	18.7	18.5	13.0	7.7	2.8	-	76	
			10	-	16.4	11.8	6.6	1.6	-	73	
			15	-	14.2	10.7	5.4	-	-	71	
			20	-	11.6	9.5	4.5	-	-	69	
		25	-	9.0	8.4	3.6	-	-	67		
		SW6	5	-	11.7	11.1	7.8	5.2	3.1	98	
			10	-	10.3	10.2	7.2	4.8	2.8	96	
15	-		-	8.8	6.7	4.4	2.5	94			
20	-		-	7.3	6.2	4.0	2.1	92			
25	-	-	5.7	5.6	3.6	1.7	90				
FCVJ10CI-P	1	SW4	5	-	21.3	20.5	13.5	6.6	-	81	
			10	-	18.7	18.3	11.8	5.2	-	78	
			15	-	16.0	15.9	10.1	3.8	-	76	
			20	-	13.3	13.3	8.6	2.0	-	73	
		25	-	10.5	10.5	-	-	-	71		
		SW5	5	-	-	18.3	15.2	9.5	4.4	89	
			10	-	-	16.1	13.8	8.5	3.4	87	
			15	-	-	13.9	12.4	7.4	2.3	85	
			20	-	-	11.4	10.9	6.0	1.1	82	
		25	-	-	8.8	8.8	4.7	-	80		
		SW6	5	-	-	11.4	11.3	9.3	6.7	118	
			10	-	-	-	10.1	8.6	6.2	116	
15	-		-	-	8.7	8.0	5.7	113			
20	-		-	-	7.2	7.1	5.3	111			
25	-	-	-	-	5.7	4.8	108				

JET PUMPS - CONVERTIBLE VERSAJET PRO

DEEP-WELL PERFORMANCE

CVJ Pro Series				Discharge Pressure (PSI)						Shut-off Pressure (PSI)
Model	HP	Injector Kit	Total Suction Lift (ft)	30	35	40	45	50	55	
				Gallons Per Minute (GPM)						
FCVJ05CI-P	1/2	DW2	30	11.1	7.2	4.0	1.3	-	-	65
			40	9.3	5.7	2.7	-	-	-	60
			50	7.4	4.2	1.5	-	-	-	55
			60	5.6	2.7	-	-	-	-	51
			70	4.1	1.3	-	-	-	-	45
			80	2.7	-	-	-	-	-	40
			90	1.2	-	-	-	-	-	35
		DW1	30	-	6.6	5.0	3.4	2.2	1.3	97
			40	6.6	6.0	4.2	2.8	1.7	0.9	92
			50	6.6	5.1	3.5	2.3	1.3	-	86
			60	5.9	4.1	2.7	1.7	0.8	-	81
			70	5.0	3.4	2.2	1.2	-	-	76
			80	4.1	2.7	1.6	0.8	-	-	70
			90	3.1	2.0	1.1	-	-	-	65
FCVJ07CI-P	3/4	DW2	30	12.2	9.9	6.3	3.5	0.8	-	74
			40	11.4	8.2	4.9	2.2	-	-	69
			50	9.7	6.5	3.5	0.8	-	-	64
			60	7.9	4.8	2.1	-	-	-	59
			70	6.1	3.4	0.8	-	-	-	53
			80	4.3	2.0	-	-	-	-	48
			90	2.5	0.6	-	-	-	-	43
		DW4	30	-	7.9	5.9	4.1	2.7	1.4	94
			40	7.9	6.9	5.0	3.4	2.1	0.9	88
			50	7.5	5.8	4.1	2.6	1.4	-	83
			60	6.6	4.7	3.2	1.9	0.8	-	77
			70	5.5	3.9	2.5	1.3	-	-	71
			80	4.4	3.1	1.7	0.6	-	-	66
			90	3.3	2.3	1.0	-	-	-	60
FCVJ10CI-P	1	DW3	30	-	16.5	9.8	3.5	-	-	67
			40	-	13.0	6.9	1.0	-	-	62
			50	-	9.4	4.1	-	-	-	57
			60	-	5.9	1.2	-	-	-	52
		DW2	30	-	12.2	10.3	7.0	4.1	1.5	87
			40	-	11.4	8.6	5.5	2.8	-	82
			50	-	9.7	6.9	4.0	1.4	-	76
			60	-	8.2	5.2	2.5	-	-	71
			70	-	6.6	3.8	1.3	-	-	66
		DW4	80	-	4.9	2.5	-	-	-	60
			90	-	3.3	1.1	-	-	-	55
			30	-	7.9	7.8	6.3	4.8	3.3	111
			40	-	7.9	7.3	5.4	4.0	2.6	105
			50	-	7.8	6.3	4.6	3.2	2.0	99
			60	-	7.0	5.2	3.7	2.4	1.3	93
			70	-	6.0	4.4	3.0	1.8	0.7	87
			80	-	5.1	3.6	2.3	1.2	-	82
90	-	4.1	2.8	1.6	0.6	-	76			

JET PUMPS - CONVERTIBLE VERSAJET PRO

ORDERING INFORMATION

REPLACEMENT DEEP WELL PUMPS

(Where the existing deep well injector assembly remains in the well, connected to the suction & pressure pipes and only the surface pump and motor are being replaced)

1. Select the replacement pump from the following chart, based upon the pump brand, series and horsepower rating of the unit being replaced. Please consult performance charts to verify new pump will meet design expectations.

Convertible Versajet Pro with Suction Flange Factory Mounted				
Model	HP	Order Number	Suction Flange	Accepts SW Injector
CVJ05CI-S-P	1/2	96136105	K1-S	Yes
CVJ07CI-S-P	3/4	96136107		
CVJ10CI-S-P	1	96136110		
CVJ05CI-M-P	1/2	96133105	K4-M	No
CVJ07CI-M-P	3/4	96133107		
CVJ10CI-M-P	1	96133110		

NEW DEEP WELL PUMP INSTALLATIONS (MINIMUM 4" I.D. WELL REQUIRED)

1. Select the pump from the above chart after having consulted the performance charts to verify the desired flow and pressure will be achieved from the depth from which well water is to be lifted using the following deep well injector kit.
2. To maintain sufficient back-pressure on the deep well injector, a deep well control valve should be installed on the discharge line. (1" MNPT x 1" FNPT connections)

Deep Well Injector	Order Number
DW1-5	96152000

NOTE: This kit contains all nozzle & venturi combinations, plus instructions of how to choose and install the correct ones for your specific application

Deep Well Control Valve	Order Number
DW-CV	96150951

JET PUMPS - CONVERTIBLE VERSAJET

ORDERING INFORMATION (CONT.)

NEW OR REPLACEMENT SHALLOW WELL PUMP INSTALLATIONS

1. Select the pump with K1-S suction flange the from the following chart, based upon the horsepower rating and performance needed. Note that only the K1-S suction flange will allow the shallow well injector kit to bolt up to it successfully.

Convertible Versajet with Suction Flange Factory Mounted				
Model	HP	Order Number	Suction Flange	Accepts SW Injector
CVJ05CI-S-P	1/2	96136105	K1-S	Yes
CVJ07CI-S-P	3/4	96136107		
CVJ10CI-S-P	1	96136110		

2. Order the following shallow well injector kit to fit the pump selected. This kit contains nozzles and venturi to enable it to fit all shallow well applications described in the performance charts.

Shallow Well Injector	Order Number
SWI-7	96151000

NOTE: This kit contains all nozzle & venturi combinations, plus instructions of how to choose and install the correct ones for your specific application

ALTERNATE SUCTION FLANGE KITS

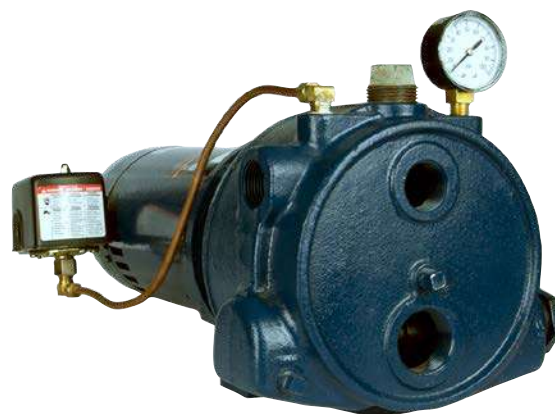
1. Should an alternate suction flange kit be needed to retrofit a pump to enable it to serve a specific application, the following are available and include all necessary hardware for mounting.

Suction Flange Model	Order Number
K1-S (Sta-Rite)	96150946
K2-G (Goulds)	96150947
K3-F (F&W)	96150948
K4-M (Myers)	96150949
K5-J (Jacuzzi)	96150952

JET PUMPS - CONVERTIBLE PRO (RM2) SERIES

FEATURES

- Heavy-duty cast iron case with 1-1/4" inlet and (3) 1" outlets
- Stainless steel impeller ensures optimum durability
- Thermoplastic diffuser is precision molded for optimum efficiency
- Each pump factor equipped with internal shallow well injector easily replaced with bypass plug for deep well operation
- Shaft coupling designed for easy removal of keyed shaft motor
- Carbon/ceramic faced mechanical shaft seal with nitrile elastomer ensures positive sealing at all pressures
- High service factor 56C-frame motor for maximum performance
- Adjustable pressure switch is factory installed and set at 30/50 psi
- Maximum temperature of 140 °F/60 °C; 150 PSI maximum working pressure



ORDERING INFORMATION

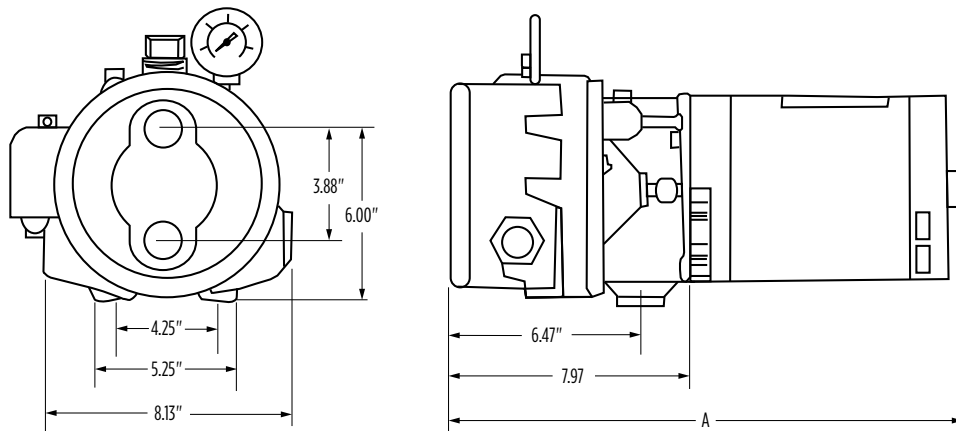
Model	HP	Phase	Voltage	S.F.A	Pump Unit		Deep-Well Injector		
					Order No.	Wt. (lbs)	Total Suction Lift (ft)	Order No.	Wt. (lbs)
FP05CI-C	1/2	1	115/230	11.8/5.9	91140005	48	30-60	147E1120	7
FP07CI-C	3/4			14.8/7.4	91140007	51	30-60	147E1023	
FP1CI-C	1			14.4/7.7	91140010	53	30-60	147E1125	
FP1CI-C	1	3	208-230/460	4.6/2.3	91112011	53	50-100	147E1120	

NOTES: Order deep-well injector separately; minimum inside well diameter requirement of 4" for deep-well injectors; parallel pipe injectors are required for deep well installations

DIMENSIONS

Model	HP	A
FP05CI-C	1/2	18.65"
FP07CI-C	3/4	19.15"
FP1CI-C	1	19.65"

NOTE: Dimensions will vary according to motor manufacturer



JET PUMPS - CONVERTIBLE PRO (RM2) SERIES

SHALLOW-WELL PERFORMANCE

1" Dis. x 1-1/4" Suc.			Discharge Pressure (PSI)										Shut-off Pressure (PSI)	
Model	HP	Total Suction Lift (ft)	30	35	40	45	50	55	60	65	70	75		80
			Gallons Per Minute (GPM)											
FP05CI-C	1/2	5	12.5	9.8	7.1	4.7	2.5	-	-	-	-	-	-	56.8
		10	-	8.6	6.0	3.6	1.5	-	-	-	-	-	-	54.2
		15	-	7.4	4.8	2.5	0.5	-	-	-	-	-	-	51.6
		20	-	6.0	3.5	1.6	-	-	-	-	-	-	-	49.6
		25	-	4.5	2.2	0.6	-	-	-	-	-	-	-	47.5
FP07CI-C	3/4	5	-	15.1	12.9	9.5	6.2	3.1	-	-	-	-	-	60.3
		10	-	-	11.7	8.2	4.9	2.0	-	-	-	-	-	58.4
		15	-	-	10.4	6.8	3.6	-	-	-	-	-	-	56.4
		20	-	-	8.4	5.5	2.4	-	-	-	-	-	-	54.1
		25	-	-	-	4.1	1.2	-	-	-	-	-	-	51.8
FP1CI-C	1	5	-	-	-	16.8	14.0	11.1	8.1	5.0	1.8	-	-	73.0
		10	-	-	-	-	12.7	9.9	7.0	3.9	-	-	-	71.3
		15	-	-	-	-	11.4	8.7	5.9	2.8	-	-	-	69.5
		20	-	-	-	-	-	7.1	4.2	-	-	-	-	66.7
		25	-	-	-	-	-	-	5.5	2.5	-	-	-	63.8
FP1CI-C (High Head)	1	5	-	-	-	-	-	11.2	8.9	6.8	4.9	3.1	1.4	84.2
		10	-	-	-	-	-	10.0	7.9	5.9	4.0	2.2	-	81.6
		15	-	-	-	-	-	8.8	6.8	4.9	3.1	1.3	-	79.0
		20	-	-	-	-	-	-	5.5	3.9	2.1	0.7	-	76.0
		25	-	-	-	-	-	-	-	4.2	2.8	1	-	72.9

DEEP-WELL PERFORMANCE

1" Dis. x 1-1/4" Suc. 1" Drive Pipe				Discharge Pressure (PSI)									Shut-off Pressure (PSI)	Inj. Min. Operating Pressure
Model	HP	Injector Order No.	Total Suction Lift (ft)	30	35	40	45	50	55	60	65	70		
				Gallons Per Minute (GPM)										
FP05CI-C	1/2	147E1120	30	9.0	7.0	5.5	4.0	2.5	1.5	-	-	-	65	
			40	7.5	6.0	4.0	3.0	1.5	-	-	-	-	59	
			50	6.0	4.5	3.0	2.0	1.0	-	-	-	-	56	
			60	5.0	3.5	2.0	1.0	-	-	-	-	-	52	
			70	4.0	2.5	1.0	-	-	-	-	-	-	48	
	147E0915	50	6.0	5.0	4.0	3.0	2.5	2.0	1.0	-	-	-	74	
		60	5.0	4.0	3.5	2.5	2.0	1.0	-	-	-	-	70	
		70	4.0	3.5	2.5	2.0	1.5	-	-	-	-	-	65	
		80	3.5	3.0	2.0	1.5	1.0	-	-	-	-	-	61	
		90	3.0	2.0	1.5	1.0	-	-	-	-	-	-	57	
FP07CI-C	3/4	147E1023	30	15.5	13.5	11.0	8.5	6.5	4.0	2.0	-	-	66	
			40	13.5	11.5	9.0	7.0	4.5	2.4	-	-	-	61	
			50	11.0	9.5	7.0	5.0	3.0	-	-	-	-	57	
			60	9.0	7.5	5.0	3.0	1.0	-	-	-	-	53	
			70	7.5	6.0	4.0	2.0	1.0	-	-	-	-	49	
	147E1118	50	9.0	8.0	7.0	6.0	4.5	3.5	3.0	2.0	1.0	-	80	
		60	8.0	7.0	6.0	4.5	4.0	3.0	2.0	1.5	-	-	77	
		70	6.5	5.5	4.5	3.5	3.0	2.0	1.0	-	-	-	72	
		80	6.0	5.0	4.0	3.0	2.0	1.5	-	-	-	-	67	
		90	5.0	4.0	3.0	2.0	1.5	-	-	-	-	-	63	
FP1CI-C	1	147E1125	30	19.5	17.0	14.5	12.0	9.5	7.0	5.0	-	-	72	
			40	17.5	15.0	12.5	10.0	7.5	5.0	3.0	-	-	67	
			50	15.5	13.0	10.5	8.0	5.5	3.5	1.0	-	-	63	
			60	13.0	10.5	8.5	6.0	3.5	1.5	-	-	-	59	
			70	-	11.0	9.5	8.0	6.5	5.0	4.0	3.0	2.0	82	
	147E1120	60	-	10.0	8.0	7.0	5.5	4.0	3.0	2.0	1.0	78		
		70	-	8.0	7.0	6.0	4.5	3.0	2.0	1.0	-	73		
		80	-	7.0	6.0	4.5	3.5	2.0	1.5	-	-	70		
		90	-	6.0	5.0	3.5	2.5	1.5	-	-	-	65		
		100	-	5.0	4.0	3.0	1.5	-	-	-	-	61		

JET PUMPS - CONVERTIBLE C SERIES

FEATURES

- Heavy-duty cast iron volute and motor bracket for long life
- 1-1/2" inlet, (2) 3/4" outlets and (1) 1" outlet - all models
- 1/4" NPT ports for pressure gauge and AVC connection
- Stainless steel impeller for high performance and durability
- Thermoplastic diffuser is precision molded for efficiency
- Screw-in injector & bypass plug for easy conversion from shallow- to deep-well installation
- Stainless steel shaft on 56J threaded shaft motor for direct mounting of impeller
- Carbon/ceramic faced mechanical seal with nitrile elastomer ensures leak-proof operation at all discharge pressures
- Adjustable pressure switch is factory installed and set to 30-50 PSI
- Maximum temperature of 140 °F/60 °C; 75 PSI maximum working pressure
- Deep well injector kits must be ordered separately



ORDERING INFORMATION

Model No.	HP	Voltage	S.F.A.	Pump Unit		Deep-Well Injector		
				Order No.	Wt. (lbs)	Total Suction Lift (ft)	Order No.	Wt. (lbs)
FE05CI-C	1/2	115/230	9.4/4.8	91060020	45	20-60	147E1018	7
						12.8/6.4	147E1117	
						90-120	147E1115	
FE07CI-C	3/4	115/230	12.8/6.4	91060053	50	20-60	147E1124	
						50-90	147E1019	
						80-120	147E0914	

JET PUMPS - CONVERTIBLE C SERIES

SHALLOW-WELL PERFORMANCE

C Series			Discharge Pressure (PSI)						Shut-off Pressure (PSI)
Model No.	HP	Total Suction Lift (ft)	30	35	40	45	50	55	
			Gallons Per Minute (GPM)						
FE05CI-C	1	5	9.7	9.5	9.2	7.6	5.5	3.6	66.1
		10	8.4	8.2	8.0	6.5	4.5	2.7	64.0
		15	7.0	6.9	6.7	5.3	3.4	1.8	61.9
		20	5.2	5.2	5.1	4.0	2.6	0.9	58.7
		25	3.4	3.4	3.4	2.7	1.8	0.0	55.4
FE07CI-C	3/4	5	15.8	15.7	14.1	10.7	7.5	4.0	61
		10	15.0	14.9	12.8	9.2	6.0	2.5	59
		15	14.0	13.9	11.3	7.9	4.5	1.0	57
		20	12.5	12.4	9.6	6.4	3.0	-	54
		25	10.5	10.4	8.3	4.9	1.5	-	52

DEEP-WELL PERFORMANCE

C Series				Discharge Pressure (PSI)					Shut-off Pressure (PSI)
Model No.	HP	Injector Order No.	Total Suction Lift (ft)	30	35	40	45	50	
				Gallons Per Minute (GPM)					
FE05CI-C	1/2	147E1018	20	10.5	8.5	7.0	6.0	4.5	61
			30	8.5	7.0	5.5	4.0	3.5	59
			40	7.0	5.5	4.5	3.5	2.5	57
			50	5.5	4.5	4.0	3.0	2.0	55
			60	4.5	3.5	3.0	2.0	1.0	53
			60	5.0	4.0	3.5	3.0	2.5	70
		147E1117	70	4.0	3.5	3.0	2.5	2.0	66
			80	3.5	3.0	2.5	2.0	1.5	61
			90	3.0	2.5	2.0	1.5	1.0	56
			90	3.0	2.5	2.0	1.5	1.0	64
			100	2.5	2.0	1.5	1.0	0.5	60
			110	2.0	1.5	1.0	0.5	-	56
FE07CI-C	3/4	147E1115	120	1.5	1.0	0.5	-	-	52
			20	16	14.0	12.0	10.0	8.0	69
			30	14	12.0	10.0	8.0	6.0	64
			40	11.5	10.0	7.5	6.0	4.0	59
			50	10	8.0	6.0	4.0	2.0	55
			60	7.5	6.0	4.0	2.0	-	50
		147E1019	50	9.5	8.5	7.5	6.5	5.5	74
			60	8.0	7.0	6.0	5.0	4.0	70
			70	7.0	6.0	5.0	4.0	3.0	66
			80	6.0	5.0	4.0	3.0	2.0	61
			90	4.5	3.5	2.5	2.0	1.0	56
			147E0914	80	6.0	4.0	3.5	3.0	3.0
90	4.0	3.5		3.5	3.0	2.5	83		
100	3.5	3.5		3.0	2.5	2.0	80		
110	3.5	3.0		2.5	2.0	2.0	76		
120	2.5	2.5		2.0	2.0	1.5	72		

SELF-PRIMING PUMPS

Irrigation and sprinkler pumps are designed for supplying large volumes of water from a lake or pond supply to an irrigation system. They can also be in high-volume applications transferring water between locations.

PRODUCT FAMILY

- Turf Boss
- FBSE Series

APPLICATIONS

- Agricultural Irrigation
- Lawn Sprinkling
- Industrial Dewatering
- HVAC Systems (Heat Pump and Air Conditioning)
- Water Transfer and Supply
- Freshwater Pumping
- Commercial/Industrial Liquid Transfer
- Dewatering
- Flood Irrigation
- Livestock Watering
- Septic Tank Installations (in areas with drainage problems)



Turf Boss

FBSE Series

SELF-PRIMING IRRIGATION PUMPS - TURF BOSS, 1-2 HP

FEATURES

- Self-priming design with the ability to lift water from a depth of 25'
- Easily serviced through a back pull-out design, which leaves all the plumbing and both the pump's base and case undisturbed in their original location
- Rugged cast iron case ensures optimum durability, quiet operation, and long life
- Modified PPO hydraulic components and floating stainless steel impeller eye-seal ensures dependable and efficient operation
- Optional 304 stainless steel impeller available for maximum durability
- 1- and 3-phase motors available with dual voltage on smaller horsepower models; three-phase inverter duty rated
- Phenolic/Ceramic mechanical shaft seal with nitrile elastomers and 18-8SS hardware ensures positive sealing and longevity
- Integral 1" NPT priming plug and built-in drain plug for easy winterizing and servicing
- Shut-off pressures to 130 feet, flow rates to 70 gpm, and water temperatures to 120 °F



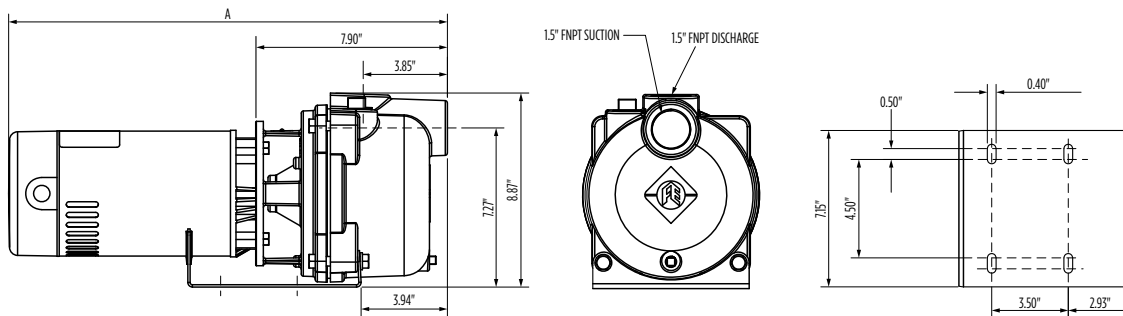
ORDERING INFORMATION

Complete Pump							
Suc. x Dis. (FNPT)	Phase	Voltage	S.F.A.	HP	Model	Order No.	Wt. (lbs)
1-1/2" x 1-1/2"	1	115/230	16.2/8.1	1	FTB1CI	92980010	50
		115/230	21.4/10.7	1-1/2	FTB15CI	92980015	57
		230	12.9	2	FTB2CI	92980020	58
	1	115/230	16.2/8.1	1	FTB1CI-SSI*	92981010	52
		115/230	21.4/10.7	1-1/2	FTB15CI-SSI*	92981015	59
		230	12.9	2	FTB2CI-SSI*	92981020	60
	3	208-230/460	4.0/2.0	1	FTB1CI-SSI-T*	92983010	51
		208-230/460	6.8/3.4	1-1/2	FTB15CI-SSI-T*	92983015	55
		208-230/460	8.6/4.3	2	FTB2CI-SSI-T*	92983020	57

*Stainless steel impeller

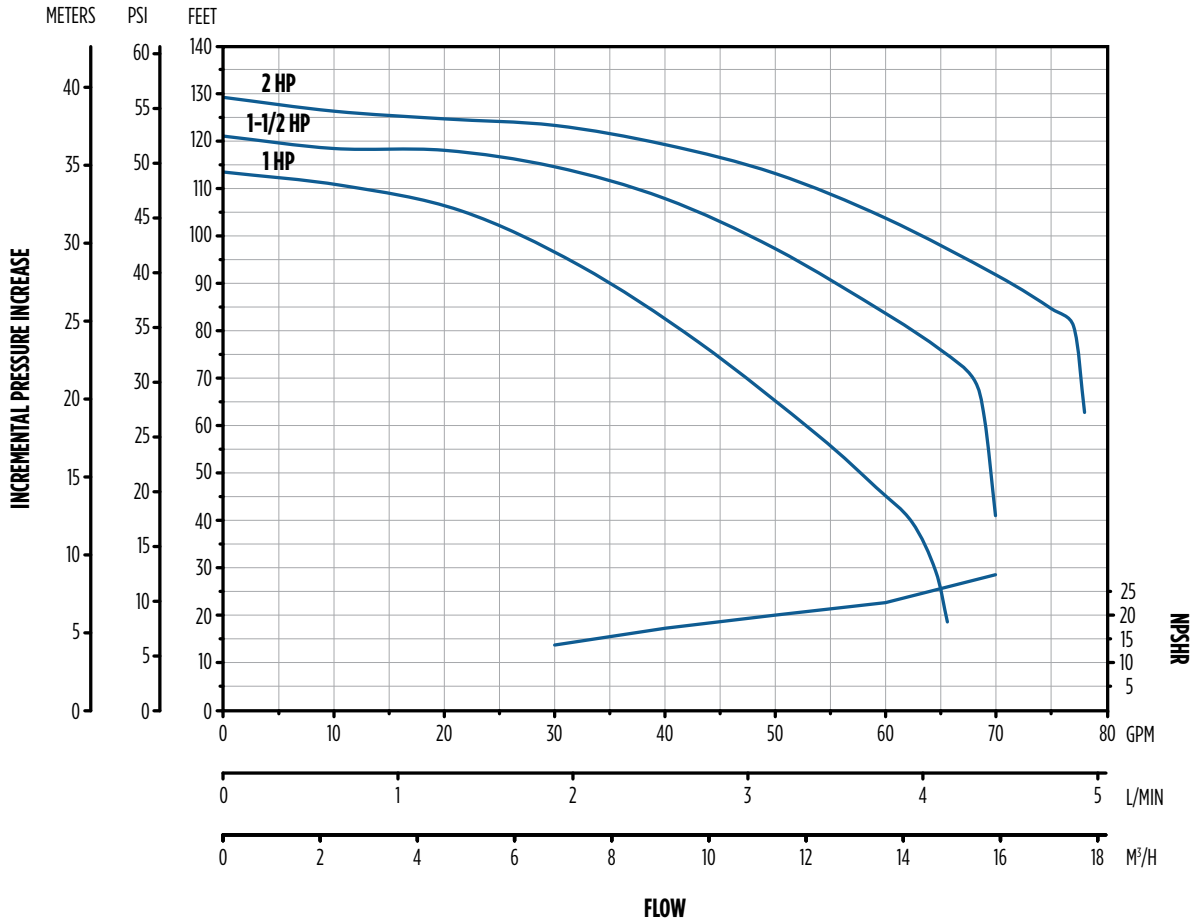
DIMENSIONS

Model	HP	A (1-Phase)	A (3-Phase)
FTB1CI	1	20.00"	23.40"
FTB15CI	1-1/2	21.60"	25.00"
FTB2CI	2	21.60"	25.00"



SELF-PRIMING IRRIGATION PUMPS - TURF BOSS

PERFORMANCE: 1-2 HP



Model	HP	Total Suction Lift (ft)	Discharge Pressure (PSI)							Shut-off Pressure (PSI)
			20	25	30	35	40	45	50	
			Gallons Per Minute (GPM)							
FTB1CI	1	5	53.0	47.0	42.0	36.0	27.0	13.0	-	46
		10	49.0	45.0	38.0	32.0	23.0	-	-	44
		15	45.0	43.0	37.0	28.0	17.0	-	-	42
		20	38.0	37.0	33.0	24.0	-	-	-	40
		25	28.0	27.0	27.0	18.0	-	-	-	38
FTB15CI	1-1/2	5	65.0	64.0	63.0	58.0	48.0	37.0	-	50
		10	58.0	58.0	57.0	55.0	45.0	26.0	-	48
		15	50.0	49.0	48.0	48.0	40.0	-	-	46
		20	41.0	40.0	39.0	38.0	32.0	-	-	44
		25	29.0	28.0	28.0	27.0	17.0	-	-	42
FTB2CI	2	5	70.0	69.0	69.0	68.0	65.0	53.0	35.0	52
		10	61.0	60.0	60.0	59.0	58.0	47.0	-	50
		15	52.0	51.0	50.0	49.0	48.0	37.0	-	49
		20	41.0	40.0	39.0	38.0	35.0	-	-	47
		25	29.0	28.0	27.0	25.0	22.0	-	-	45

SELF-PRIMING IRRIGATION PUMPS - TURF BOSS, 3-5 HP

FEATURES

- Volute: Built-in suction check valve facilitates priming and prevents back flow or siphoning
- Impeller: Combining efficient operation with durable construction to allow for use in a broad range of pumping applications; 5 hp is 304 stainless steel, 3 hp is cast iron (stainless steel coming soon)
- Seal: Standard carbon/ceramic faces; FKM elastomers; 300 series stainless steel components
- Diffuser: Cast iron is utilized in all models to improve pump efficiency
- Motor: Standard JM frame



ORDERING INFORMATION

HP	Pump Size (Suc. x Dis.)	ECNL	Phase	Volts	SFA	Motor Frame Size	Motor Code	Model	Order No.	Wt. (lbs)
3	2" x 2"	ODP	1	115/230	33.4/16.7	182JM	JM-1	FTB3CI	92980030	134
			3	230/460	8.4/4.2	145JM	JM-1	FTB3CI-T	92980035	110
		TEFC	1	115/230	33.4/16.7	182JM	JM-1	FTB3CI-E	92980130	134
			3	230/460	8.2/4.1	145JM	JM-1	FTB3CI-TE	92980135	110
			3	575	3.3	145JM	JM-1	FTB3CI-TSE	92980136	106
			1	230	25.3	184JM	JM-1	FTB5CI	92980050	140
5	2 1/2" x 2"	ODP	1	230	25.3	184JM	JM-1	FTB5CI	92980050	140
			3	230/460	13.8/6.9	182JM	JM-1	FTB5CI-T	92980055	130
		TEFC	1	230	19.0	184JM	JM-1	FTB5CI-E	92980150	140
			3	230/460	13.4/6.7	184JM	JM-1	FTB5CI-TE	92980155	130
			3	575	5.4	184JM	JM-1	FTB5CI-TSE	92980156	125

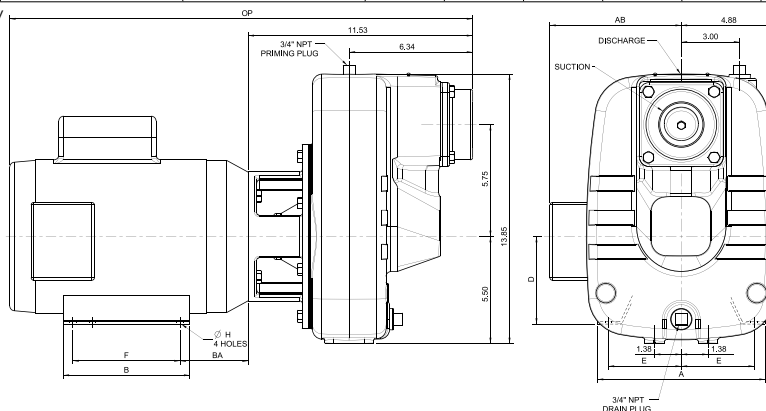
PUMP END KITS

HP	Pump Size (Suc. x Dis.)	NEMA Mtr Frame Size Fitment			Model	Order No.	Wt. (lbs)
3	2" x 2"	143-184JM	4.5 AK	.875" Shaft	FTB3CI-PE	92980033	60
5	2-1/2" x 2"				FTB5CI-PE	92980053	

DIMENSIONS

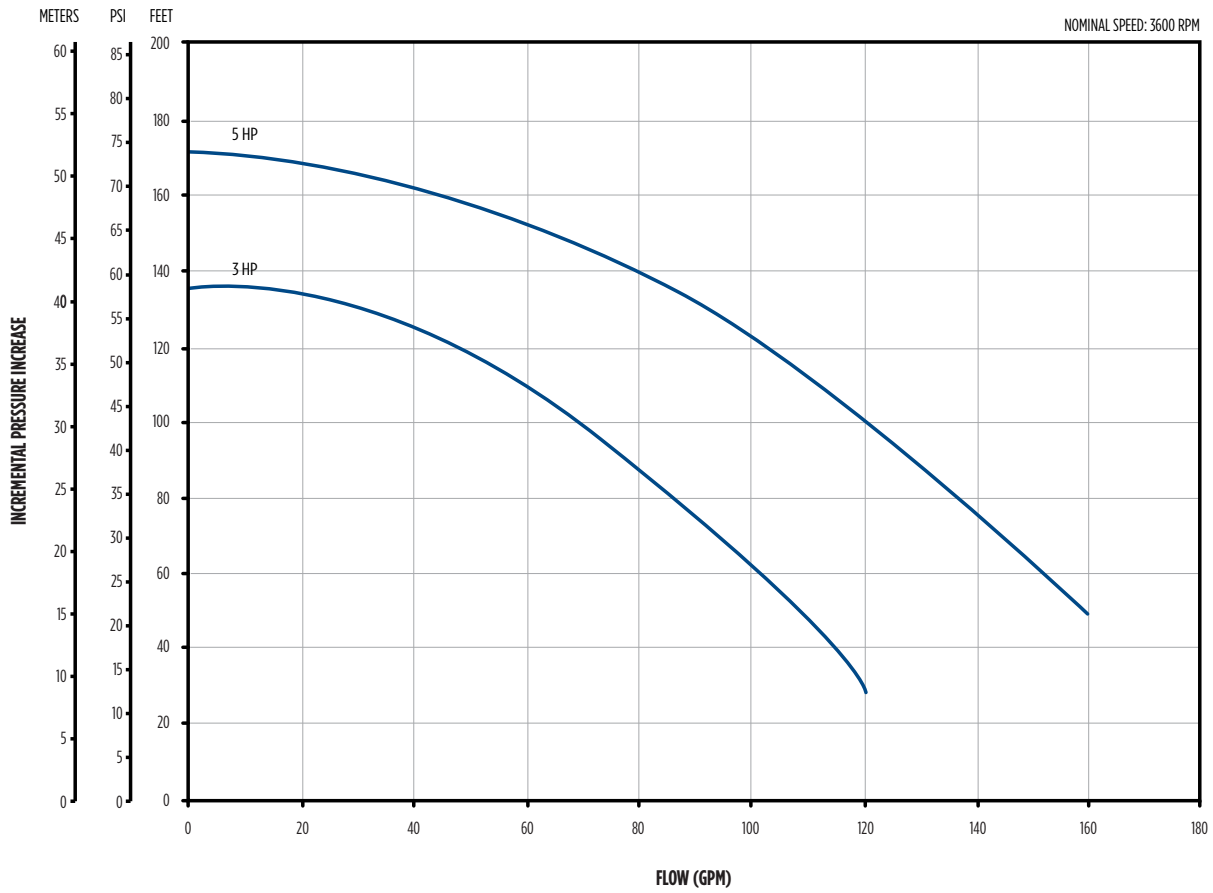
Model	Enclosure	Pump Size (Suc. x Dis)	Dimensions (in.)								
			A	B	D	E	F	H	AB	BA	OP
FTB3CI	ODP	2" X 2"	8.63	6.50	4.50	3.75	5.50	0.41	6.75	3.50	23.78
FTB3CI-E	TEFC	2" X 2"	8.63	6.50	4.50	3.75	5.50	0.44	6.87	3.50	29.59
FTB3CI-T	ODP	2" X 2"	6.50	5.94	3.50	2.75	5.00	0.34	5.62	2.88	22.41
FTB3CI-TE	TEFC	2" X 2"	6.50	5.94	3.50	2.75	5.00	0.38	5.74	2.88	23.57
FTB3CI-TSE	TEFC	2" X 2"	6.50	5.94	3.50	2.75	5.00	0.38	5.74	2.88	23.57
FTB5CI	ODP	2 1/2" X 2"	8.63	6.50	4.50	3.75	5.50	0.41	6.75	3.51	23.78
FTB5CI-E	TEFC	2 1/2" X 2"	8.63	6.50	4.50	3.75	5.50	0.45	6.87	3.50	26.83
FTB5CI-T	ODP	2 1/2" X 2"	8.63	6.50	4.50	3.75	5.50	0.41	6.74	3.50	23.78
FTB5CI-TE	TEFC	2 1/2" X 2"	8.63	6.50	4.50	3.75	5.50	0.41	6.87	3.50	25.34
FTB5CI-TSE	TEFC	2 1/2" X 2"	8.63	6.50	4.50	3.75	5.50	0.41	6.87	3.50	25.34

NOTE: Dimensions are for estimating purposes only



SELF-PRIMING IRRIGATION PUMPS - TURF BOSS

PERFORMANCE: 3-5 HP



Model	HP	Total Suction Lift (ft)	Discharge Pressure (PSI)									Shut-off Pressure (PSI)
			25	30	35	40	45	50	55	60	65	
			Gallons Per Minute (GPM)									
FTB3CI	3	5	99	90	81	70	60	47	-	-	-	56
		10	95	86	77	66	54	-	-	-	-	54
		15	91	82	73	62	49	-	-	-	-	51
		20	87	78	68	56	42	-	-	-	-	49
		25	84	74	63	51	-	-	-	-	-	47
FTB5CI	5	5	149	141	131	122	112	102	89	74	55	71
		10	146	137	127	118	108	97	82	65	-	69
		15	142	132	124	114	104	92	76	57	-	67
		20	138	129	119	109	98	84	68	-	-	65
		25	134	125	116	105	92	78	60	-	-	63

SELF-PRIMING EFFLUENT PUMPS - FBSE SERIES

FEATURES

- Cast iron volute with tapped openings for priming, venting, and draining
- Semi-open cast iron impeller that is blind-hold tapped so liquid will not corrode the shaft; Ideal for handling fertilizer, salt water, dirty water, and other liquids
- Mechanical seal with carbon/ceramic faces, FKM elastomers, and 300-series stainless steel components
- Industry-standard square flange design motor 1/2 - 2HP models
- 3HP units utilize 56J shaft motors
- Capacities to 50 gpm; Heads to 92 feet
- 75 psi maximum working pressure; 120 °F maximum temperature
- Clockwise rotation when viewed from motor end



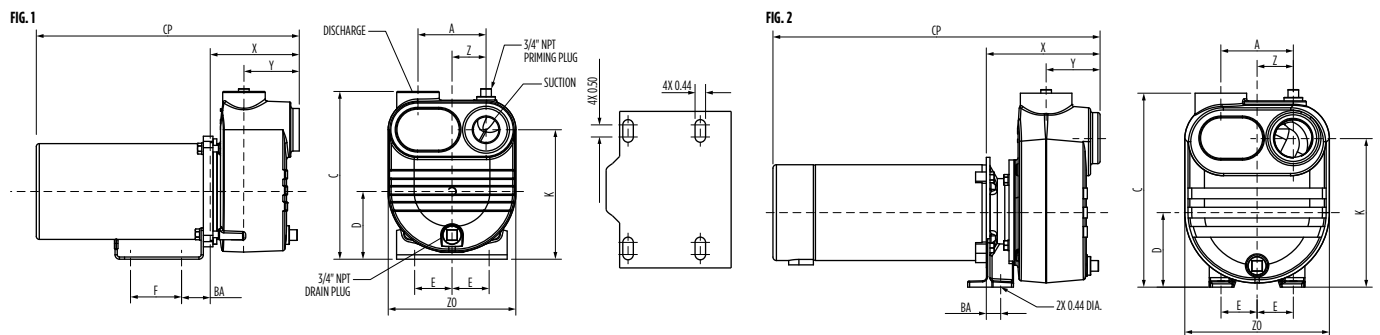
ORDERING INFORMATION

Complete Pump						
Model	HP	PH	Volts	Dis. x Suc. (NPT)	Order No.	Wt. (lbs)
FBSE-50-S	1/2	1	115/230	1-1/4" x 1-1/4"	92931005	41
FBSE-75-S	3/4	1	115/230	1-1/4" x 1-1/4"	92931007	42
FBSE-100-S	1	1	115/230	1-1/4" x 1-1/4"	92931010	46
FBSE-150-S	1-1/2	1	115/230	2" x 2"	92931015	52
FBSE-200-S	2	1	230	2" x 2"	92931020	60
FBSE-300-S	3	1	230	2" x 2"	92931030	70
FBSE-300-T	3	3	208-230/460	2" x 2"	92933030	60

DIMENSIONS

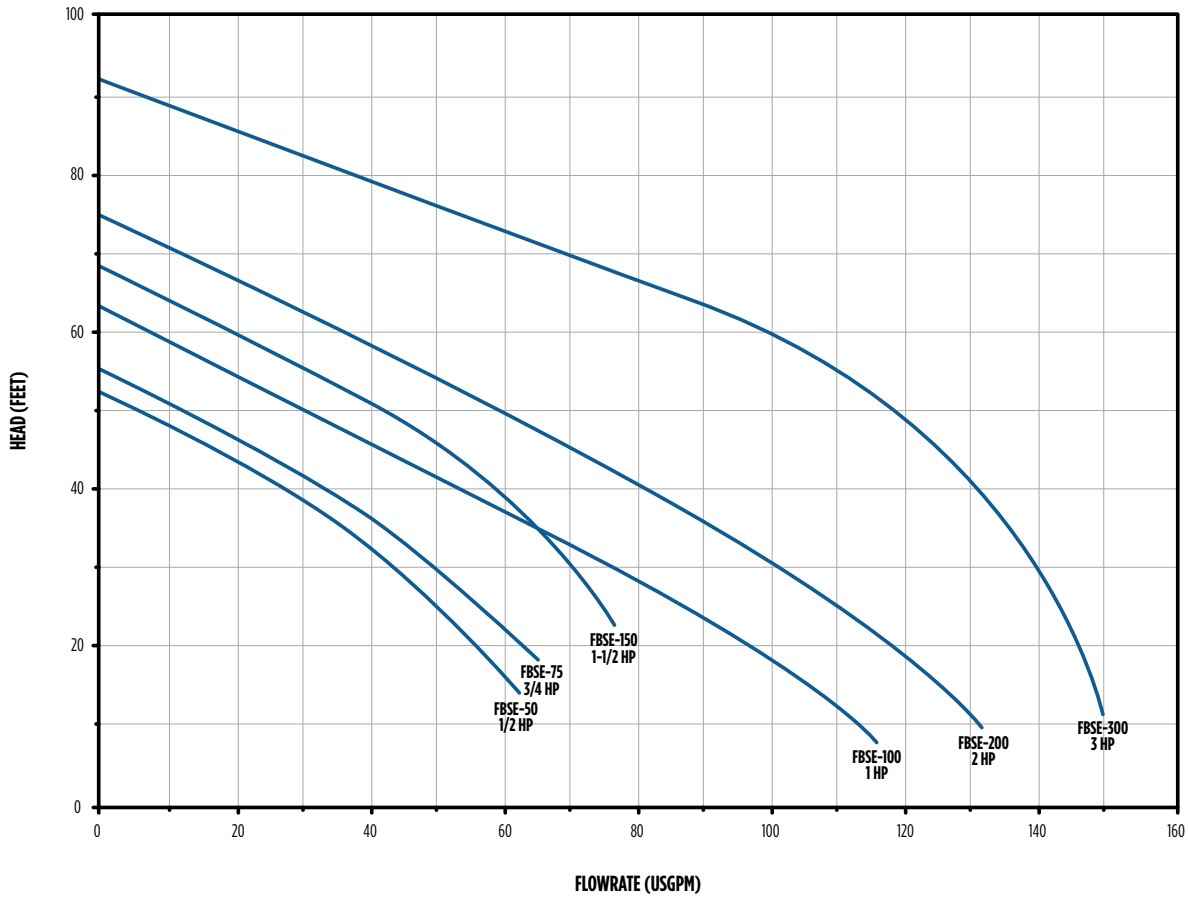
Model	HP	Fig.	Dis. x Suc. (NPT)	CP	A	BA	C	D	E	F	K	X	Y	Z	ZO
FBSE-50-S	1/2	1	1-1/4" x 1-1/4"	15.46"	4.00"	1.69"	9.86"	3.98"	2.20"	3.00"	7.61"	5.23"	3.25"	2.00"	7.50"
FBSE-75-S	3/4	1	1-1/4" x 1-1/4"	15.96"	4.00"	1.69"	9.86"	3.98"	2.20"	3.00"	7.61"	5.23"	3.25"	2.00"	7.50"
FBSE-100-S	1	1	1-1/4" x 1-1/4"	16.96"	4.00"	1.69"	9.86"	3.98"	2.20"	3.00"	7.61"	5.23"	3.25"	2.00"	7.50"
FBSE-150-S	1-1/2	1	2" x 2"	17.91"	4.26"	1.69"	11.00"	3.98"	2.20"	3.00"	8.36"	5.44"	3.17"	2.13"	8.50"
FBSE-200-S	2	1	2" x 2"	19.16"	4.26"	1.69"	11.00"	3.98"	2.20"	3.00"	8.36"	5.44"	3.17"	2.13"	8.50"
FBSE-300-S	3	2	2" x 2"	19.23"	4.26"	0.85"	11.44"	4.38"	2.13"	N/A	8.37"	6.69"	3.17"	2.13"	8.50"
FBSE-300-T	3	2	2" x 2"	20.43"	4.26"	0.85"	11.44"	4.38"	2.13"	N/A	8.37"	6.69"	3.17"	2.13"	8.50"

NOTE: Dimensions are for estimating purposes only



SELF-PRIMING EFFLUENT PUMPS - FBSE SERIES

PERFORMANCE



Model	HP	Shut-off Head (ft)	Discharge Pressure (PSI)						
			10	20	30	40	50	60	70
			Gallons Per Minute (GPM)						
FBSE-50	1/2	52	-	56.0	44.0	27.0	6.0	-	-
FBSE-75	3/4	55	-	63.0	49.0	34.0	12.0	-	-
FBSE-100	1	64	113.0	97.0	76.0	54.0	30.0	8.0	-
FBSE-150	1-1/2	68	-	-	70.0	58.0	42.0	19.0	-
FBSE-200	2	75	131.0	118.0	101.0	82.0	59.0	36.0	12.0
FBSE-300	3	92	-	145.0	139.0	132.0	119.0	100.0	69.0

BOOSTER PUMPS

Franklin's booster pumps feature a stainless steel construction and are designed to meet any pressure-boosting need. The selection is available in a range of horsepower sizes, in single- and three-phase configurations, and offer high performance for a wide variety of applications. Whether boosting water pressure from a city main or a private water system, Franklin's quality pumps will fulfill the task.

PRODUCT FAMILY

- MH Series
- BT4 Series
- BT4 Series 56C Pump Ends

APPLICATIONS

- Pressure Boosting (from city mains or private water systems)
- Water Transfer and Circulation
- Lawn and Crop Irrigation
- Residential Lawn Sprinkler Systems
- Reverse Osmosis (MH/SS BT4)
- Filtration (SS BT4)
- Pressure Washing
- Poultry Houses
- Equipment Spray Cooling
- Evaporative Cooling System Misters
- General Purpose Plumbing
- Aeration
- Wash-Down Applications
- Commercial Water Features and Fountains
- Cisterns



MH Series



BT4 Series



BT4 Series 56C Pump Ends

HORIZONTAL MULTI-STAGE PUMPS - MH SERIES

FEATURES

- All 300-series stainless steel wet end
- Mechanical seal with carbon/ceramic faces, FKM elastomers, and 300-series stainless steel components
- Industry proven, UL778 approved, indoor/outdoor rated square-flange 2-compartment motors; three-phase inverter duty rated
- Available in 15, 30, and 45 gpm nominal flow ratings
- Maximum fluid temperatures up to 225 °F / 107C; maximum working pressure of 140 psi.
- Capable of suction lifts of up to 10 feet



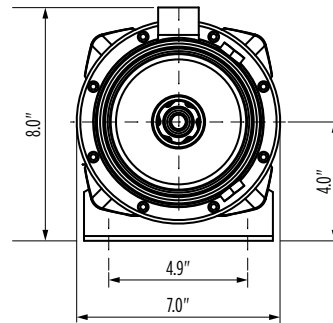
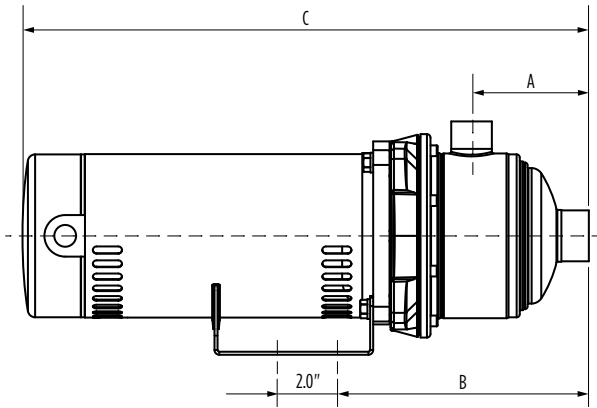
ORDERING INFORMATION

Dis. x Suc. (NPT)	Phase	Voltage	GPM	Stage	HP	S.F.A.	Model No.	Order No.	Wt. (lbs)
1" x 1-1/4"	1	115/230	15	2	1/2	9.4/4.7	15FMH05S2	96061500	22
				3	3/4	12.4/6.2	15FMH07S3	96061501	25
				4	1	14.8/7.4	15FMH1S4	96061502	29
				5	1-1/2	19.9/9.95	15FMH1S5S	96061503	35
				6	2	24.0/12.0	15FMH2S6	96061504	40
				2	3/4	12.4/6.2	30FMH07S2	96063000	25
1" x 1-1/4"	1	115/230	30	3	1	14.8/7.4	30FMH1S3	96063001	33
				4	1-1/2	19.9/9.95	30FMH1S4	96063002	37
				5	2	24.0/12.0	30FMH2S5	96063003	41
1-1/4" x 1-1/2"	1	115/230	45	2	1-1/2	19.9/9.95	45FMH1S2	96064500	33
3				2	24.0/12.0	45FMH2S3	96064501	39	
2				1/2	3.0/1.5	15FMH05S2-T	96061510	24	
1" x 1-1/4"	3	208-230/460	15	3	3/4	3.6/1.8	15FMH07S3-T	96061511	24
				4	1	4.7/2.35	15FMH1S4-T	96061512	29
				5	1-1/2	6.8/3.4	15FMH1S5S-T	96061513	34
				6	2	8.5/4.25	15FMH2S6-T	96061514	42
				2	3/4	3.6/1.8	30FMH07S2-T	96063010	24
1" x 1-1/4"	3	208-230/460	30	3	1	4.7/2.35	30FMH1S3-T	96063011	33
				4	1-1/2	6.8/3.4	30FMH1S4-T	96063012	36
				5	2	8.5/4.25	30FMH2S5-T	96063013	43
1-1/4" x 1-1/2"	3	208-230/460	45	2	1-1/2	6.8/3.4	45FMH1S2-T	96064510	32
				3	2	8.5/4.25	45FMH2S3-T	96064511	41

HORIZONTAL MULTI-STAGE PUMPS - MH SERIES

DIMENSIONS

Phase	GPM	Stage	HP	Model	A	B	C
1	15	2	1/2	15FMH05S2	4.06"	8.75"	16.75"
		3	3/4	15FMH07S3	4.06"	8.75"	17.50"
		4	1	15FMH1S4	5.00"	9.69"	19.07"
		5	1-1/2	15FMH1S5	5.94"	10.64"	20.81"
		6	2	15FMH2S6	6.89"	11.58"	22.59"
		2	3/4	30FMH07S2	4.06"	8.75"	17.50"
	30	3	1	30FMH1S3	4.06"	8.75"	19.00"
		4	1-1/2	30FMH1S4	5.00"	9.69"	20.70"
		5	2	30FMH2S5	5.94"	10.64"	21.64"
	45	2	1-1/2	45FMH1S5	4.65"	9.34"	19.67"
		3	2	45FMH2S3	4.65"	9.34"	20.50"
	3	15	2	1/2	15FMH05S2-T	4.06"	8.75"
3			3/4	15FMH07S3-T	4.06"	8.75"	17.62"
4			1	15FMH1S4-T	5.00"	9.69"	18.92"
5			1-1/2	15FMH1S5-T	5.94"	10.64"	20.78"
6			2	15FMH2S6-T	6.89"	11.58"	22.56"
2			3/4	30FMH07S2-T	4.06"	8.75"	17.62"
30		3	1	30FMH1S3-T	4.06"	8.75"	18.85"
		4	1-1/2	30FMH1S4-T	5.00"	9.69"	20.67"
		5	2	30FMH2S5-T	5.94"	10.64"	21.61"
45		2	1-1/2	45FMH1S5-T	4.65"	9.34"	19.64"
		3	2	45FMH2S3-T	4.65"	9.34"	20.47"



HORIZONTAL MULTI-STAGE PUMPS - MH SERIES

PERFORMANCE - 15 GPM

The graph plots Head (FEET and NPSH) against Flow (GPM) for five different horsepower models. The y-axis ranges from 0 to 350 FEET (0 to 30 NPSH), and the x-axis ranges from 0 to 30 GPM. A shaded region indicates an 8-25 GPM operating range. A callout shows a 25 FT head at 1.0 GPM flow.

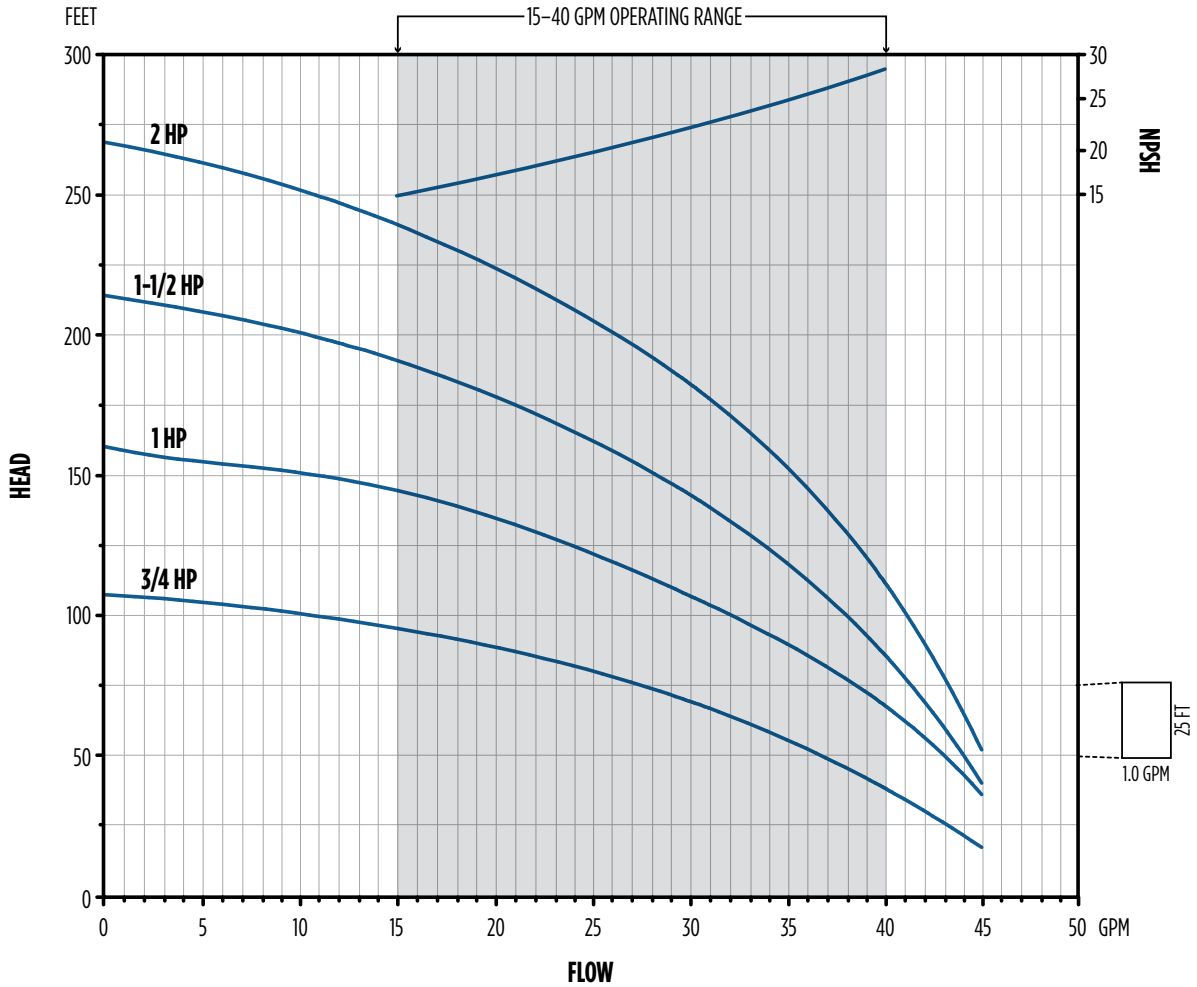
Flow (GPM)	1/2 HP (FEET)	3/4 HP (FEET)	1 HP (FEET)	1-1/2 HP (FEET)	2 HP (FEET)
0	100	150	200	250	310
5	95	145	195	245	305
10	90	140	190	240	300
15	85	135	185	235	295
20	80	130	180	230	290
25	75	125	175	225	285
27.5	70	120	170	220	280

Model	HP	Total Head (ft)																				Shut-off Head (PSI)			
		50	60	70	80	90	100	110	120	130	140	150	160	170	180	190	200	210	220	230	240		250	260	270
15FMH05S2	1/2	21.0	18.0	15.0	12.0	8.0	1.0	-	-	-	-	-	-	-	-	-	-	-	-	-	-	-	-	44	
15FMH05S2-T	1/2	21.0	18.0	15.0	12.0	8.0	1.0	-	-	-	-	-	-	-	-	-	-	-	-	-	-	-	-	44	
15FMH07S3	3/4	25.0	23.0	21.0	19.0	18.0	16.0	14.0	12.0	9.0	6.0	1.0	-	-	-	-	-	-	-	-	-	-	-	66	
15FMH07S3-T	3/4	25.0	23.0	21.0	19.0	18.0	16.0	14.0	12.0	9.0	6.0	1.0	-	-	-	-	-	-	-	-	-	-	-	66	
15FMH1S4	1	-	26.0	25.0	24.0	23.0	21.0	20.0	18.0	17.0	15.0	14.0	12.0	10.0	8.0	5.0	1.0	-	-	-	-	-	-	88	
15FMH1S4-T	1	-	26.0	25.0	24.0	23.0	21.0	20.0	18.0	17.0	15.0	14.0	12.0	10.0	8.0	5.0	1.0	-	-	-	-	-	-	88	
15FMH1S5S	1-1/2	-	-	27.0	26.0	25.0	25.0	24.0	23.0	22.0	21.0	20.0	19.0	18.0	16.0	15.0	14.0	12.0	10.0	9.0	6.0	4.0	-	111	
15FMH1S5S-T	1-1/2	-	-	27.0	26.0	25.0	25.0	24.0	23.0	22.0	21.0	20.0	19.0	18.0	16.0	15.0	14.0	12.0	10.0	9.0	6.0	4.0	-	111	
15FMH2S6	2	-	-	-	-	27.0	26.0	25.0	25.0	24.0	23.0	22.0	21.0	21.0	20.0	19.0	18.0	17.0	16.0	15.0	14.0	12.0	11.0	10.0	135
15FMH2S6-T	2	-	-	-	-	27.0	26.0	25.0	25.0	24.0	23.0	22.0	21.0	21.0	20.0	19.0	18.0	17.0	16.0	15.0	14.0	12.0	11.0	10.0	135

32

HORIZONTAL MULTI-STAGE PUMPS - MH SERIES

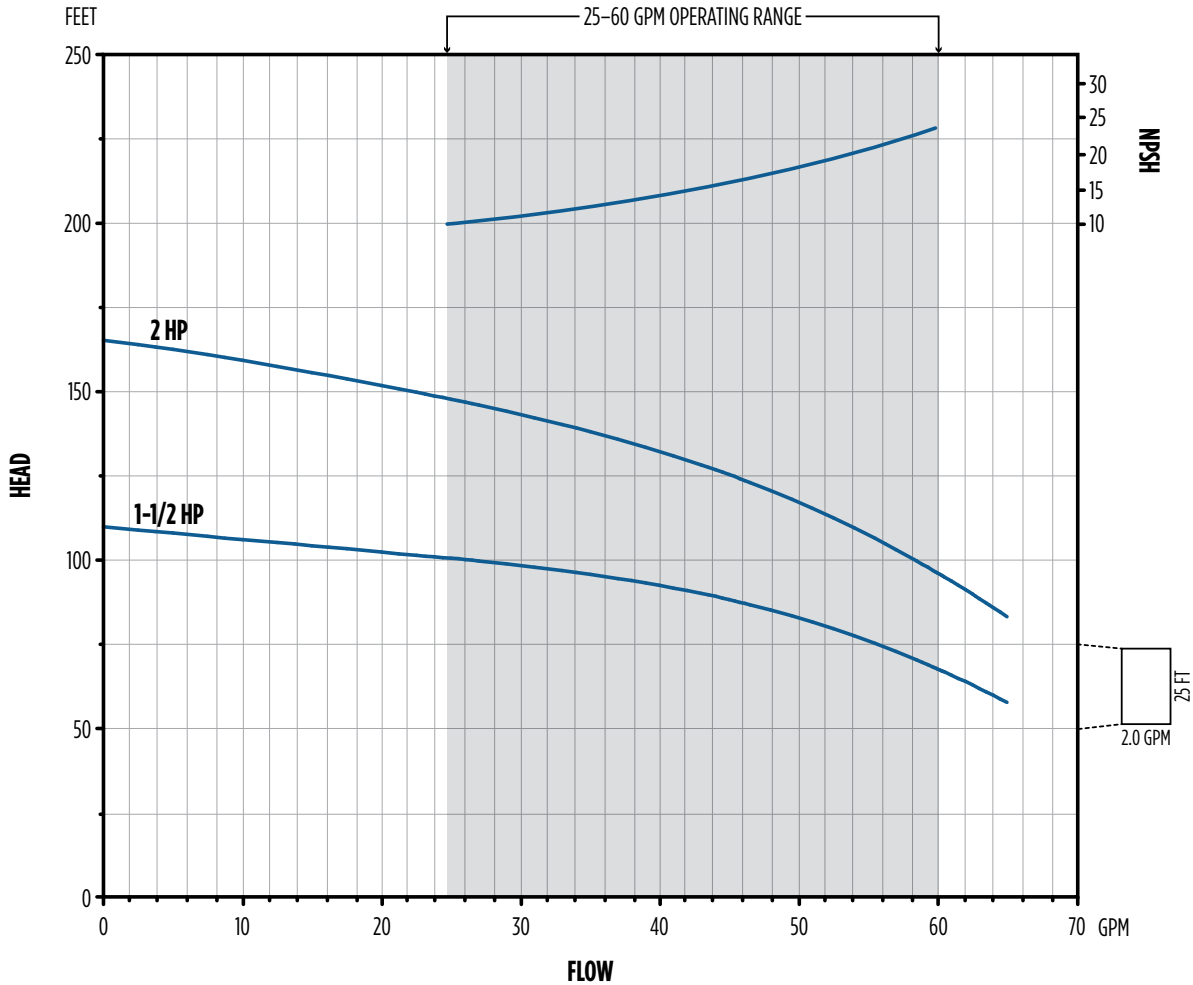
PERFORMANCE - 30 GPM



Model	HP	Total Head (ft)																	Shut-off Head (PSI)			
		50	60	70	80	90	100	110	120	130	140	150	160	170	180	190	200	210		220	230	240
30FMH07S2	3/4	37.0	33.0	30.0	25.0	19.0	10.0	-	-	-	-	-	-	-	-	-	-	-	-	-	-	47
30FMH07S2-T		37.0	33.0	30.0	25.0	19.0	10.0	-	-	-	-	-	-	-	-	-	-	-	-	-	-	-
30FMH1S3	1	43.0	41.0	40.0	37.0	35.0	32.0	29.0	26.0	22.0	17.0	11.0	-	-	-	-	-	-	-	-	-	69
30FMH1S3-T		43.0	41.0	40.0	37.0	35.0	32.0	29.0	26.0	22.0	17.0	11.0	-	-	-	-	-	-	-	-	-	69
30FMH1S4	1-1/2	44.0	43.0	42.0	41.0	39.0	38.0	36.0	35.0	33.0	31.0	28.0	26.0	23.0	19.0	15.0	10.0	3.0	-	-	-	93
30FMH1S4-T		44.0	43.0	42.0	41.0	39.0	38.0	36.0	35.0	33.0	31.0	28.0	26.0	23.0	19.0	15.0	10.0	3.0	-	-	-	93
30FMH2S5	2	-	44.0	44.0	43.0	42.0	41.0	40.0	39.0	38.0	37.0	35.0	34.0	32.0	30.0	28.0	26.0	24.0	21.0	18.0	15.0	116
30FMH2S5-T		-	44.0	44.0	43.0	42.0	41.0	40.0	39.0	38.0	37.0	35.0	34.0	32.0	30.0	28.0	26.0	24.0	21.0	18.0	15.0	116

HORIZONTAL MULTI-STAGE PUMPS - MH SERIES

PERFORMANCE - 45 GPM



Model	HP	Total Head (ft)											Shut-off Head (PSI)	
		60	70	80	90	100	110	120	130	140	150	160		
Capacities (GPM)														
45FMH15S2	1-1/2	64.0	59.0	52.0	43.0	26.0	-	-	-	-	-	-	-	47
45FMH15S2-T														
45FMH2S3	2	-	-	-	62.0	58.0	54.0	48.0	42.0	33.0	22.0	9.0	71	
45FMH2S3-T														

HIGH PERFORMANCE BOOSTER PUMPS - BT4 SERIES

FEATURES

- Stainless steel discharge on all models with 1" NPT outlet
- Stainless steel or cast iron bracket; both with a rugged support foot for horizontal or vertical mounting, a handle for portability and with 1" NPT inlet
- Built with Franklin's patented (U.S. patent) 7,290,984 Tri-Seal floating stage system, providing maximum efficiency, longevity, and performance
- Acetal impellers, Modified PPO diffusers, and 300-series stainless steel hub, eye seals, shaft, and shell
- CI version: Mechanical seal with phenolic/ceramic faces, Buna elastomers, and stainless steel components
- SS version: Mechanical seal with carbon/ceramic faces, FKM elastomers, and stainless steel components
- Industry-proven ODP square-flange 2-compartment motors are easily serviced or replaced without either dismantling the pump end or disturbing the plumbing connections
- High service factor, 1/2-3 hp, 2-compartment dual-voltage motors; three-phase inverter duty rated
- Maximum fluid temperature of up to 120 °F/49 °C; 150 psi maximum working pressure



ORDERING INFORMATION

Phase	Volts	GPM	Construction	HP	S.F.A.	Model	Order No.	Wt. (lbs)
3	208-230/460	5	Stainless Steel	1/2	3.0/1.5	5FBT05S4-T	95830555	37
				3/4	3.6/1.8	5FBT07S4-T	95830560	41
				1	4.7/2.35	5FBT1S4-T	95830565	46
	208-230/460	7		1/2	3.0/1.5	7FBT05S4-T	95830755	37
				3/4	3.6/1.8	7FBT07S4-T	95830760	40
				1	4.7/2.35	7FBT1S4-T	95830765	46
	208-230/460	10		1-1/2	6.8/3.4	7FBT15S4-T	95830770	53
				1/2	3.0/1.5	10FBT05S4-T	95831055	37
				3/4	3.6/1.8	10FBT07S4-T	95831060	39
				1	4.7/2.35	10FBT1S4-T	95831065	45
				1-1/2	6.8/3.4	10FBT15S4-T	95831070	52
				2	8.5/4.25	10FBT2S4-T	95831075	56
	208-230/460	15		3/4	3.6/1.8	15FBT07S4-T	95831560	39
				1	4.7/2.35	15FBT1S4-T	95831565	44
				1-1/2	6.8/3.4	15FBT15S4-T	95831570	49
				2	8.5/4.25	15FBT2S4-T	95831575	55
				3/4	3.6/1.8	20FBT07S4-T	95832060	39
				1	4.7/2.35	20FBT1S4-T	95832065	44
	208-230/460	20		1-1/2	6.8/3.4	20FBT15S4-T	95832070	51
				2	8.5/4.25	20FBT2S4-T	95832075	55
				3	10.0/5.0	20FBT3S4-T	95832080	67
	208-230/460	25		1	4.7/2.35	25FBT1S4-T	95832565	44
				1-1/2	6.8/3.4	25FBT15S4-T	95832570	48
				2	8.5/4.25	25FBT2S4-T	95832575	54
3			10.0/5.0	25FBT3S4-T	95832580	66		



HIGH PERFORMANCE BOOSTER PUMPS - BT4 SERIES

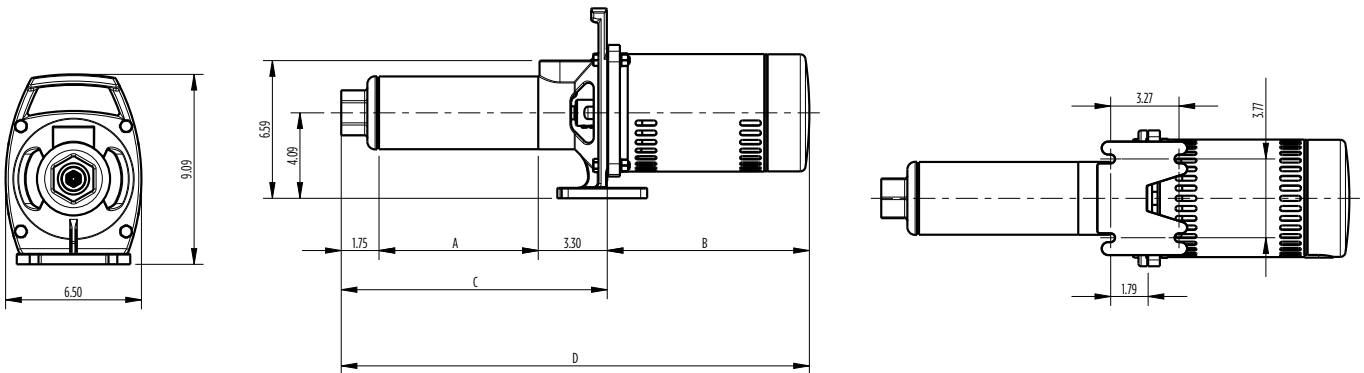
ORDERING INFORMATION

Phase	Volts	GPM	Inlet Construction	HP	S.F.A.	Model	Order No.	Wt. (lbs)	
1	115/230	5	Stainless Steel	1/2	12.4/6.2	5FBT05S4	95830510	37	
				3/4	14.8/7.4	5FBT07S4	95830515	41	
				1	19.9/9.95	5FBT1S4	95830520	46	
			Cast Iron	1/2	12.4/6.2	5FBT05C4	95880505	36	
				3/4	14.8/7.4	5FBT07C4	95880510	40	
				1	19.9/9.95	5FBT1C4	95880515	43	
		7	Stainless Steel	1/2	12.4/6.2	7FBT05S4	95830710	37	
				3/4	14.8/7.4	7FBT07S4	95830715	40	
				1	19.9/9.95	7FBT1S4	95830720	46	
			Cast Iron	1-1/2	24.0/12.0	7FBT15S4	95830725	53	
				1/2	12.4/6.2	7FBT05C4	95880705	36	
				3/4	14.8/7.4	7FBT07C4	95880710	40	
		10	Stainless Steel	1	19.9/9.95	7FBT1C4	95880715	43	
				1-1/2	24.0/12.0	7FBT15C4	95880720	48	
				1/2	12.4/6.2	10FBT05S4	95831010	37	
				3/4	14.8/7.4	10FBT07S4	95831015	39	
				1	19.9/9.95	10FBT1S4	95831020	45	
				1-1/2	24.0/12.0	10FBT15S4	95831025	52	
			Cast Iron	2	24.0/12.0	10FBT2S4	95831030	56	
				1/2	12.4/6.2	10FBT05C4	95881005	35	
				3/4	14.8/7.4	10FBT07C4	95881010	39	
				1	19.9/9.95	10FBT1C4	95881015	42	
				1-1/2	24.0/12.0	10FBT15C4	95881020	48	
				2	24.0/12.0	10FBT2C4	95881025	55	
	15	Stainless Steel	3/4	14.8/7.4	15FBT07S4	95831515	39		
			1	19.9/9.95	15FBT1S4	95831520	44		
			1-1/2	24.0/12.0	15FBT15S4	95831525	49		
			2	24.0/12.0	15FBT2S4	95831530	55		
			Cast Iron	3/4	14.8/7.4	15FBT07C4	95881510	39	
				1	19.9/9.95	15FBT1C4	95881515	41	
		1-1/2		24.0/12.0	15FBT15C4	95881520	47		
		2		24.0/12.0	15FBT2C4	95881525	52		
		20	Stainless Steel	3/4	14.8/7.4	20FBT07S4	95832015	39	
				1	19.9/9.95	20FBT1S4	95832020	44	
	1-1/2			24.0/12.0	20FBT15S4	95832025	51		
	2			24.0/12.0	20FBT2S4	95832030	55		
	3			13.3	20FBT3S4	95832035	67		
	Cast Iron			3/4	14.8/7.4	20FBT07C4	95882010	39	
			1	19.9/9.95	20FBT1C4	95882015	41		
			1-1/2	24.0/12.0	20FBT15C4	95882020	47		
			2	24.0/12.0	20FBT2C4	95882025	54		
	25		Stainless Steel	3	13.3	25FBT3C4	95882035	70	
		1		19.9/9.95	25FBT1S4	95832520	44		
		1-1/2		24.0/12.0	25FBT15S4	95832525	48		
		2		24.0/12.0	25FBT2S4	95832530	54		
		3		13.3	25FBT3S4	95832535	66		
		Cast Iron		1	19.9/9.95	25FBT1C4	95882515	41	
			1-1/2	24.0/12.0	25FBT15C4	95882520	46		
			2	24.0/12.0	25FBT2C4	95882525	51		
			3	13.3	25FBT3C4	95882535	69		
		230	115/230	20	Stainless Steel	1	19.9/9.95	25FBT1S4	95832520
	1-1/2					24.0/12.0	25FBT15S4	95832525	48
2	24.0/12.0					25FBT2S4	95832530	54	
3	13.3					25FBT3S4	95832535	66	
230	115/230	25	Stainless Steel	1	19.9/9.95	25FBT1S4	95832520	44	
				1-1/2	24.0/12.0	25FBT15S4	95832525	48	
				2	24.0/12.0	25FBT2S4	95832530	54	
				3	13.3	25FBT3S4	95832535	66	
230	115/230	20	Cast Iron	1	19.9/9.95	20FBT1C4	95882015	41	
				1-1/2	24.0/12.0	20FBT15C4	95882020	47	
				2	24.0/12.0	20FBT2C4	95882025	54	
				3	13.3	20FBT3C4	95882035	70	
230	115/230	25	Cast Iron	1	19.9/9.95	25FBT1C4	95882515	41	
				1-1/2	24.0/12.0	25FBT15C4	95882520	46	
				2	24.0/12.0	25FBT2C4	95882525	51	
				3	13.3	25FBT3C4	95882535	69	

HIGH PERFORMANCE BOOSTER PUMPS - BT4 SERIES

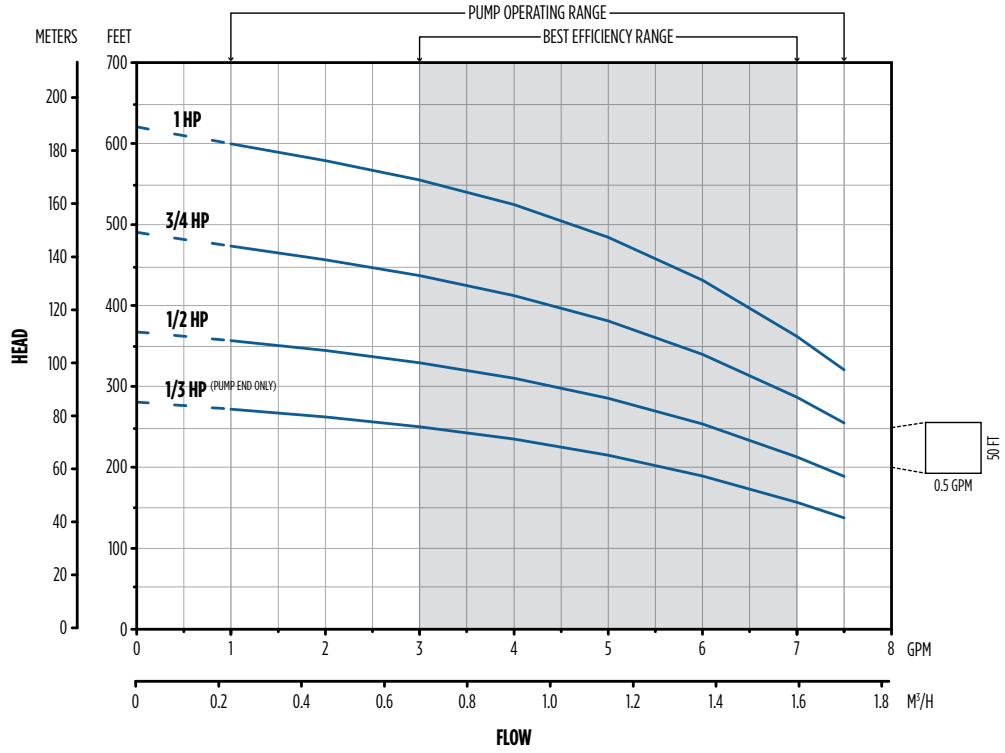
DIMENSIONS

GPM	HP	Stage	A	B	C	D
5	1/3	7	8.44	9.63	13.49	23.12
	1/2	9	10.09	10.38	15.14	25.52
	3/4	12	12.55	11.00	17.60	28.60
	1	15	15.01	11.88	20.06	31.94
7	1/3	6	7.62	9.63	12.67	22.30
	1/2	8	9.26	10.38	14.31	24.69
	3/4	10	10.91	11.00	15.96	26.96
	1	14	14.19	11.88	19.24	31.12
	1-1/2	19	18.30	12.63	23.35	35.98
10	1/3	5	7.2	9.63	12.27	21.90
	1/2	7	9.02	10.38	14.07	24.45
	3/4	8	9.93	11.00	14.98	25.98
	1	11	12.64	11.88	17.69	29.57
	1-1/2	15	16.26	12.63	21.31	33.94
15	2	18	18.97	12.63	24.02	36.65
	1/2	5	7.22	10.38	12.27	22.65
	3/4	6	8.12	11.00	13.17	24.17
	1	8	9.93	11.88	14.98	26.86
	1-1/2	12	13.54	12.63	18.59	31.22
20	2	15	16.26	12.63	21.31	33.94
	1/2	4	7.59	10.38	12.64	23.02
	3/4	5	8.82	11.00	13.87	24.87
	1	7	11.26	11.88	16.31	28.19
	1-1/2	10	14.94	12.63	19.99	32.62
25	2	12	17.38	12.63	22.43	35.06
	3	15	21.06	13.18	26.11	39.29
	3/4	4	7.59	11.00	12.64	23.64
	1	6	10.04	11.88	15.09	26.97
	1-1/2	8	12.49	12.63	17.54	30.17
	2	10	14.94	12.63	19.99	32.62
	3	13	18.61	13.18	23.66	36.84

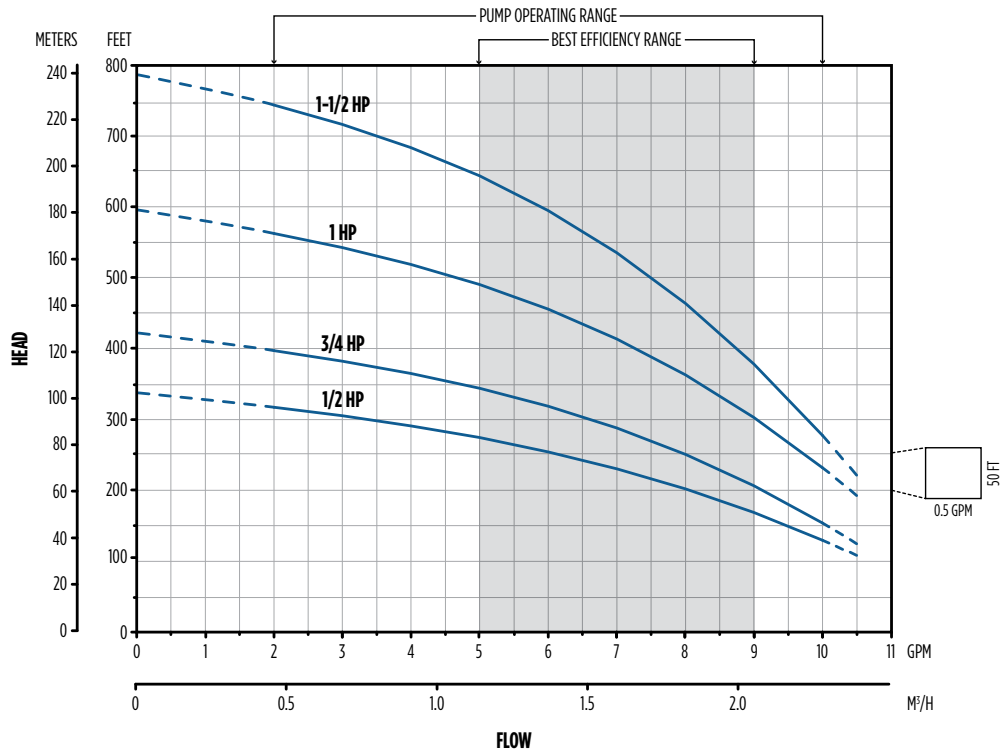


HIGH PERFORMANCE BOOSTER PUMPS - BT4 SERIES

PERFORMANCE: 5 GPM

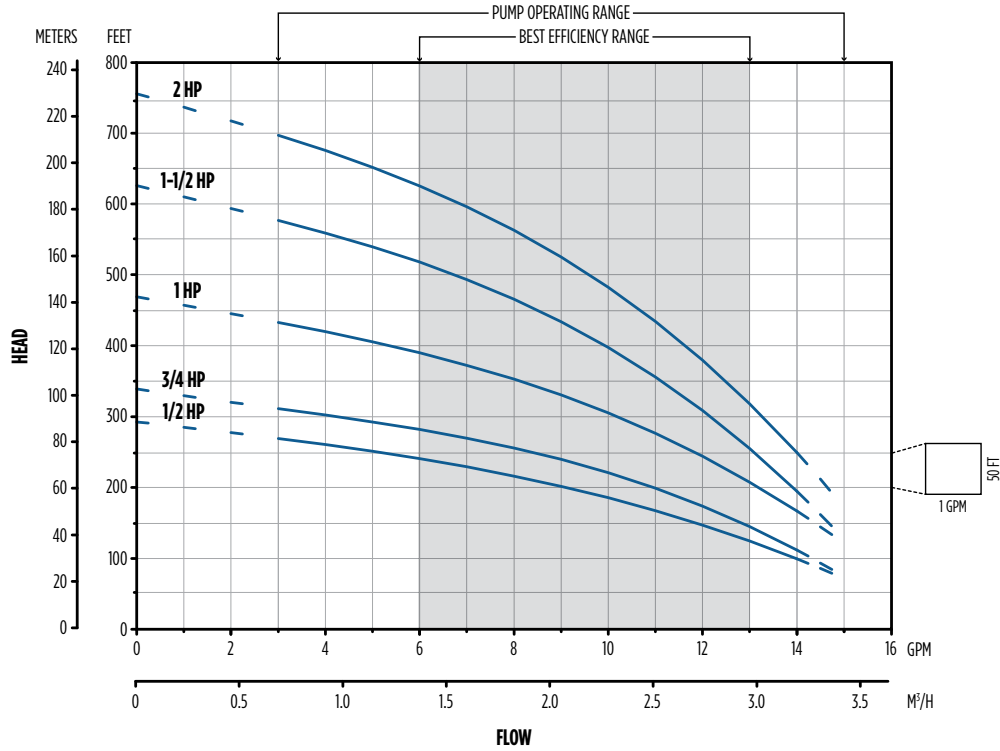


PERFORMANCE: 7 GPM

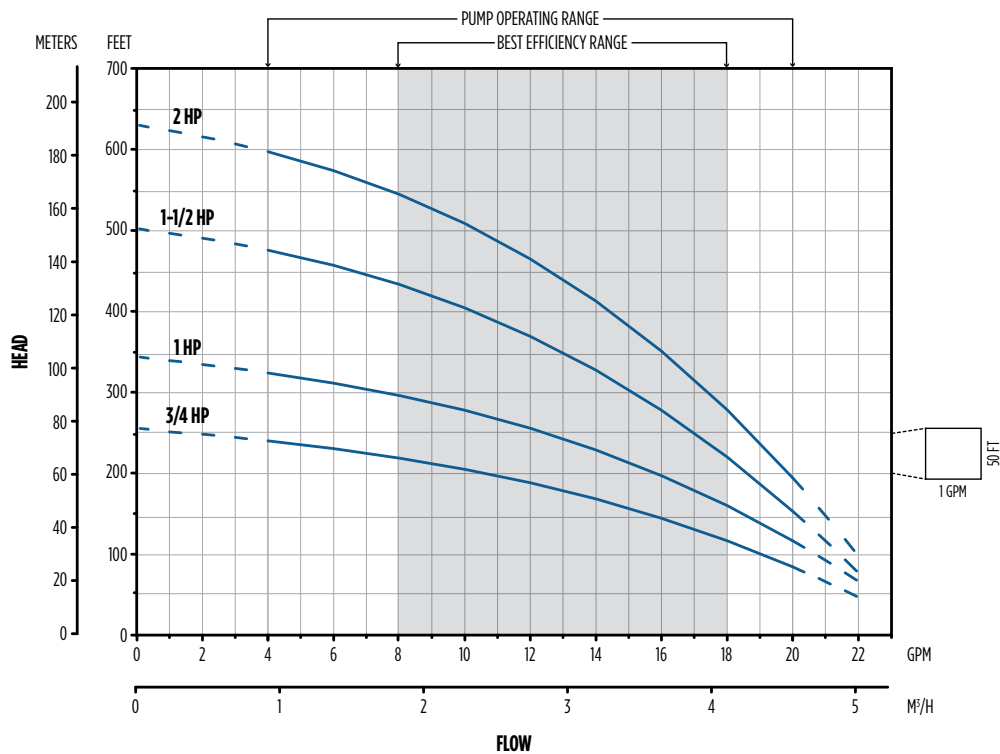


HIGH PERFORMANCE BOOSTER PUMPS - BT4 SERIES

PERFORMANCE: 10 GPM



PERFORMANCE: 15 GPM



HIGH PERFORMANCE BOOSTER PUMPS - BT4 SERIES

PERFORMANCE: 20 GPM

This graph shows the performance of BT4 series booster pumps at a flow rate of 20 GPM. The y-axis represents head in meters (0 to 180) and feet (0 to 600). The x-axis represents flow in GPM (0 to 30) and M³/H (0 to 7). Five pump curves are shown: 3 HP, 2 HP, 1-1/2 HP, 1 HP, and 3/4 HP. A shaded region indicates the 'BEST EFFICIENCY RANGE' between approximately 15 and 25 GPM. A larger shaded region indicates the 'PUMP OPERATING RANGE' from approximately 10 to 28 GPM. A callout shows a 50 FT head and 2.5 GPM flow rate.

Flow (GPM)	3 HP Head (FT)	2 HP Head (FT)	1-1/2 HP Head (FT)	1 HP Head (FT)	3/4 HP Head (FT)
0	170	135	110	80	55
5	165	130	105	75	55
10	155	120	100	70	55
15	145	110	95	65	55
20	130	100	90	60	55
25	115	90	85	55	55
30	100	80	80	50	55

PERFORMANCE: 25 GPM

This graph shows the performance of BT4 series booster pumps at a flow rate of 25 GPM. The y-axis represents head in meters (0 to 140) and feet (0 to 500). The x-axis represents flow in GPM (0 to 40) and M³/H (0 to 8). Four pump curves are shown: 3 HP, 2 HP, 1-1/2 HP, and 1 HP. A shaded region indicates the 'BEST EFFICIENCY RANGE' between approximately 15 and 30 GPM. A larger shaded region indicates the 'PUMP OPERATING RANGE' from approximately 10 to 35 GPM. A callout shows a 50 FT head and 2.5 GPM flow rate.

Flow (GPM)	3 HP Head (FT)	2 HP Head (FT)	1-1/2 HP Head (FT)	1 HP Head (FT)
0	145	110	90	65
5	145	110	90	65
10	140	105	85	65
15	130	100	80	60
20	115	90	75	55
25	100	80	70	50
30	85	70	65	45
35	70	60	60	40
40	55	50	55	35

40

HIGH PERFORMANCE BOOSTER PUMPS - BT4 SERIES 56C PUMP ENDS FOR 56C KEYED SHAFT MOTORS

FEATURES

- Stainless steel bracket with a rugged support foot for horizontal or vertical mounting, plus built-in handle
- Built with Franklin's patented (U.S. patent) 7,290,984 Tri-Seal floating stage system, providing maximum efficiency, longevity, and performance
- Acetal impellers, Modified PPO diffusers, and 300-series stainless steel hub, eye seals, shaft, shell and discharge connection
- Mechanical seal with carbon/ceramic faces, FKM elastomer, and stainless steel components
- Maximum fluid temperature of up to 120F/40C; 150 psi maximum working pressure
- 1" NPT inlet and outlet connections, all models



ORDERING INFORMATION

GPM	HP	Model	Order No.	Wt. (lbs)
5	1/3	5BT03S4-PE	95920507	18
	1/2	5BT05S4-PE	95920509	19
	3/4	5BT07S4-PE	95920512	20
7	1	5BT1S4-PE	95920515	21
	1/2	7BT05S4-PE	95920708	18
	3/4	7BT07S4-PE	95920710	19
	1	7BT1S4-PE	95920714	20
10	1-1/2	7BT15S4-PE	95920719	24
	1/2	10BT05S4-PE	95921007	18
	3/4	10BT07S4-PE	95921008	19
	1	10BT1S4-PE	95921011	20
	1-1/2	10BT15S4-PE	95921015	23
15	2	10BT2S4-PE	95921018	24
	1/2	15BT05S4-PE	95921505	17
	3/4	15BT07S4-PE	95921506	18
	1	15BT1S4-PE	95921508	19
	1-1/2	15BT15S4-PE	95921512	20
20	2	15BT2S4-PE	95921515	23
	1/2	20BT05S4-PE	95922004	17
	3/4	20BT07S4-PE	95922005	18
	1	20BT1S4-PE	95922007	19
	1-1/2	20BT15S4-PE	95922010	20
	2	20BT2S4-PE	95922012	23
25	3	20BT3S4-PE	95922015	24
	1	25BT1S4-PE	95922506	18
	1-1/2	25BT15S4-PE	95922508	19
	2	25BT2S4-PE	95922510	20
	3	25BT3S4-PE	95922513	24

SINGLE STAGE CENTRIFUGAL PUMPS

For times when transferring water is required, or providing a moderate pressure boost, Franklin offers a wide variety of pumps that accomplish most any task. Whether circulating water or other liquids, Franklin's centrifugal pumps have a range of horsepower in single- and three-phase configurations to complete the job. Throughout the selection, the centrifugal pumps and motors are available for indoor and outdoor use with UL approvals.

PRODUCT FAMILY

- A Series
- DR Series

APPLICATIONS

- Pressure Boosting
- Water Transfer
- General Purpose
- Water Features
- Fountains
- General Dewatering
- Aquariums (A Series)



A Series



DR Series

NON-CORROSIVE TRANSFER PUMPS - A SERIES

FEATURES

- High-tech, non-corrosive plastic construction and stainless steel for components in contact with liquid
- Motor shaft is completely insulated from any contact with pumping liquid
- Phenolic/Ceramic mechanical shaft seal with nitrile elastomers and 18-8SS components
- Standard 2" union connections (ordered separately) ensure easy service and optimum water flow
- Three-way volute discharge port rotates at 90° increments without removing motor
- Lightweight design



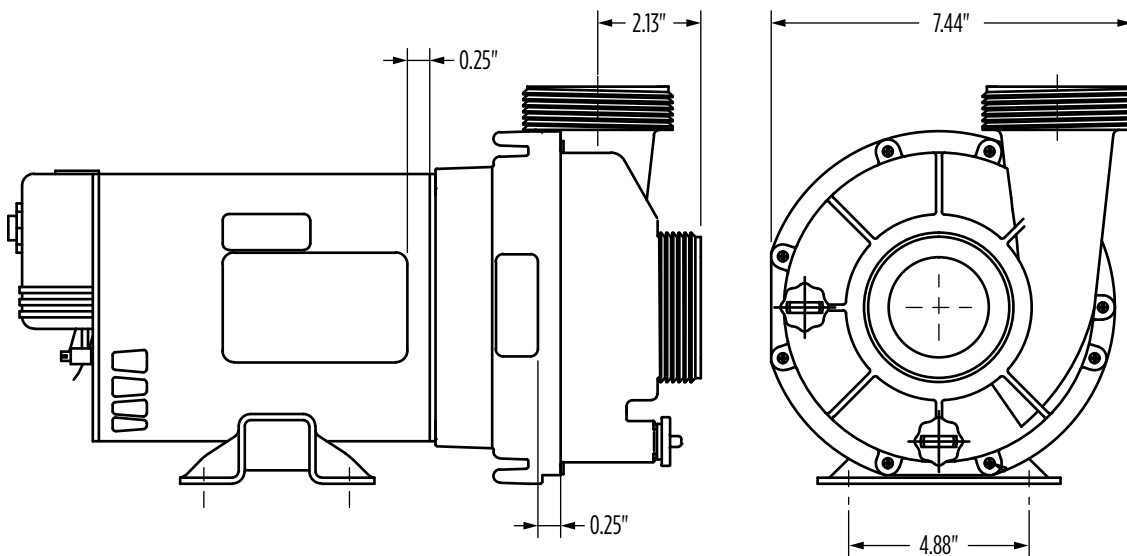
ORDERING INFORMATION

Model	HP	Dis. x Suc. (MBPT)	Voltage	S.F.A.	Order No.	Wt. (lbs)
S2A	2	2" x 2"	115/230	16/8	94216151	27
S3A	3		230	10	94216191	29
S4A	4		230	10	94216301	35
Fittings kit contains (2) 2" slip x threaded connection union halves					31150109	2

NOTE: Set of union halves must be purchased separately.

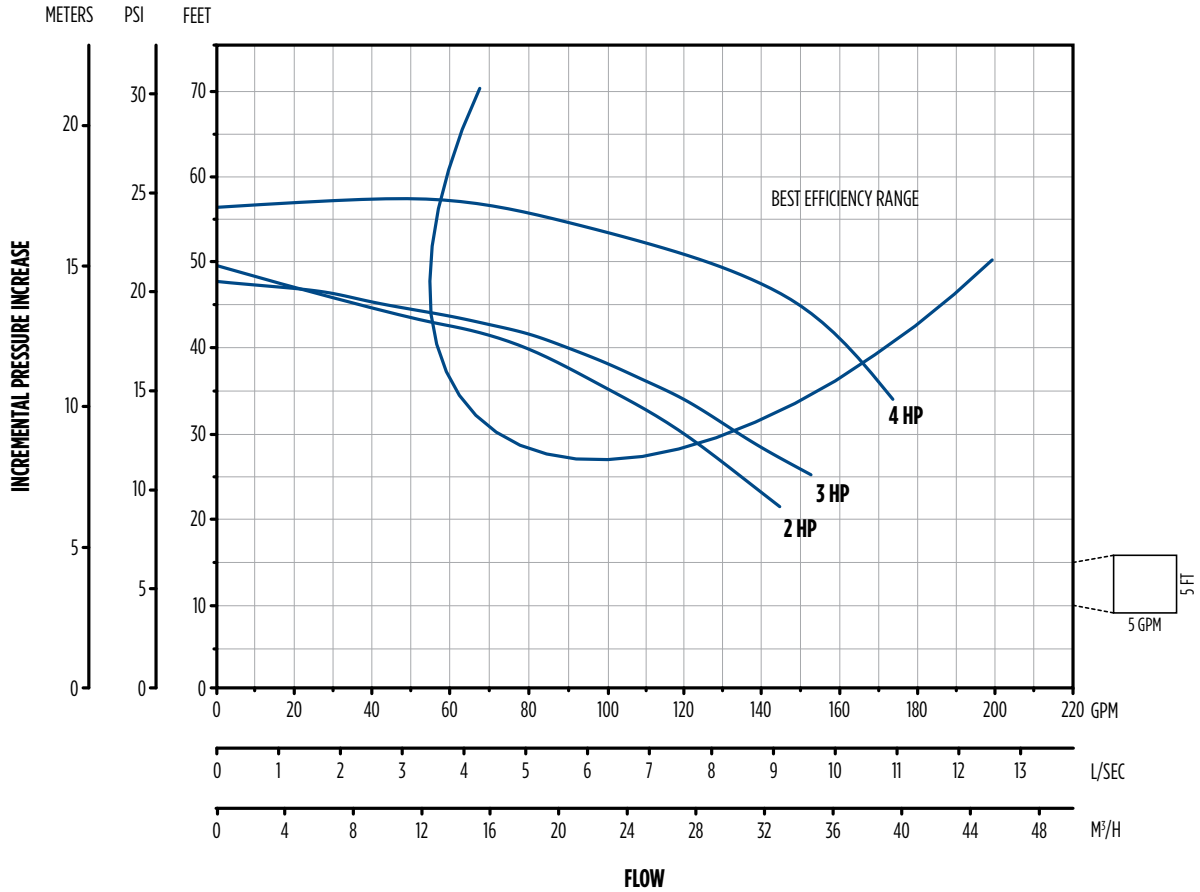
DIMENSIONS

Model	HP	A	D	E
S2A	2	15.19"	3.38"	7.94"
S3A	3	16.44"	3.38"	8.06"
S4A	4	16.81"	3.50"	8.06"



NON-CORROSIVE TRANSFER PUMPS - A SERIES

PERFORMANCE



Model	HP	Total Head (ft)					Shut-off Head (ft)
		20	30	40	50	60	
S2A	2	148.0	119.0	78.0	-	-	49
S3A	3	172.0	132.0	89.0	-	-	47
S4A	4	-	180.0	162.0	120.0	-	56

CLOSE-COUPLED CENTRIFUGAL PUMPS - DR SERIES

FEATURES

- Back pull-out design provides access to internal parts without disturbing the plumbing
- Robust cast iron volute standard; stainless steel alternate available for DR1 Series
- Volute discharge can be rotated in 90° increments; top vertical standard from the factory
- Multiple 1/4" NPT drain/pressure ports enable winterizing no matter the volute orientation
- Enclosed impeller design for increased efficiencies; thermoplastic and stainless steel options
- Mechanical seal construction
- Every pump unit factory wet tested to insure customer satisfaction
- Suitable for horizontal or vertical (motor end up) installation
- NEMA standard motor options include:
 - 48Y square flange, 1/2" threaded shaft, ODP
- Pump end kits available for 56C & 56J motor construction
- Rotation: right hand; clockwise when viewed from motor end
- Maximum fluid handling temperature 120 °F (49 °C)



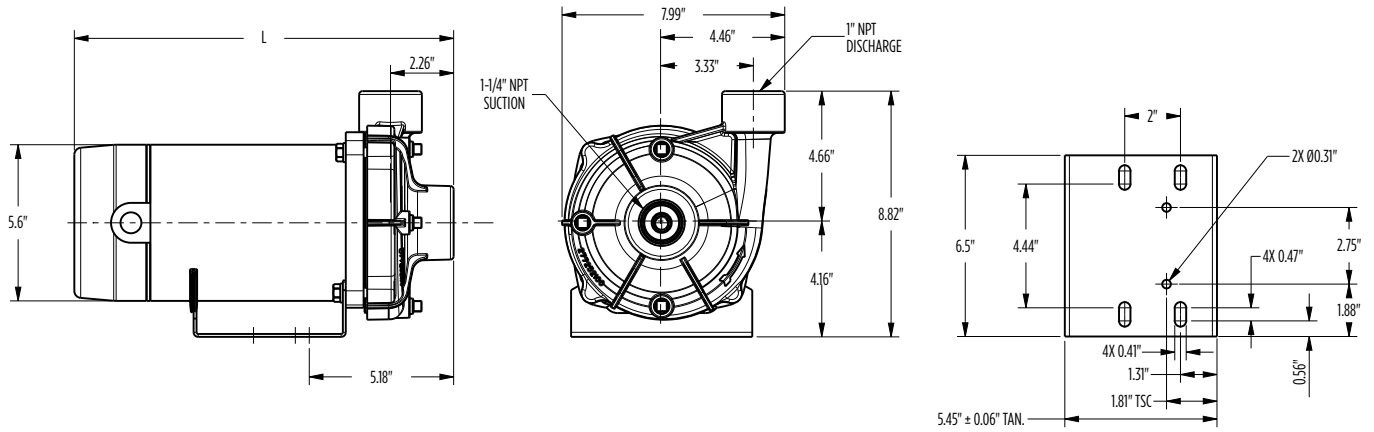
APPLICATIONS

- Water circulation
- Booster service
- Liquid transfer
- Spraying systems
- Jockey pump service
- General purpose pumping

Series	HP Range	Suction	Discharge
DR1	1/2 - 1	1-1/4" NPT	1" NPT
DR2	1 - 2	1-1/2" NPT	1-1/4" NPT

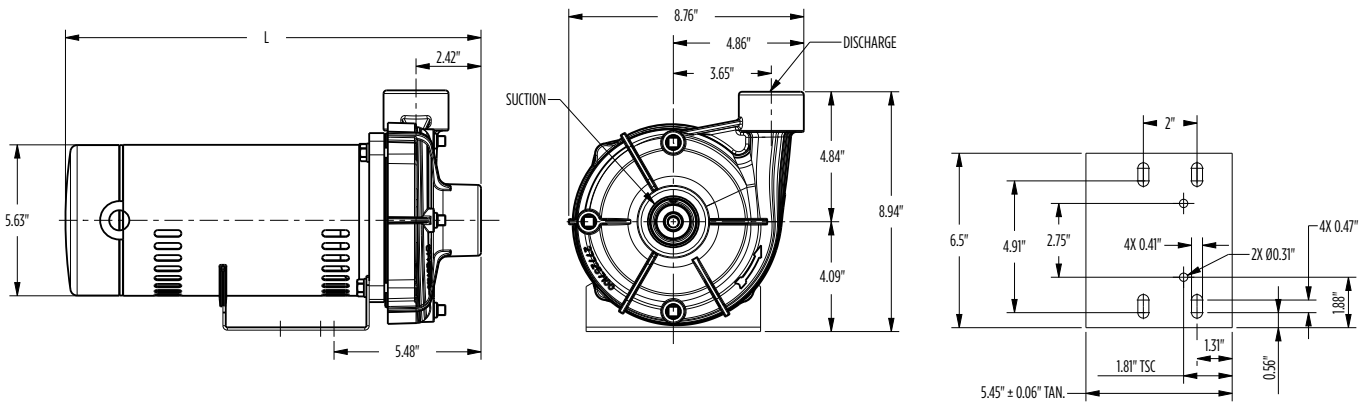
CLOSE-COUPLED CENTRIFUGAL PUMPS - DR SERIES

DIMENSIONS: DR1S SQUARE FLANGE



Model	HP	PH	L (in)	Suction	Discharge	Drain Ports (3)
DRIS05	1/2	1	13.61	1-1/4" NPT	1" NPT	1/4"
DRIS07	3/4		14.23			
DRIS1	1		15.11			
DRIS05	1/2	3	13.08			
DRIS07	3/4		13.73			
DRIS1	1		14.08			

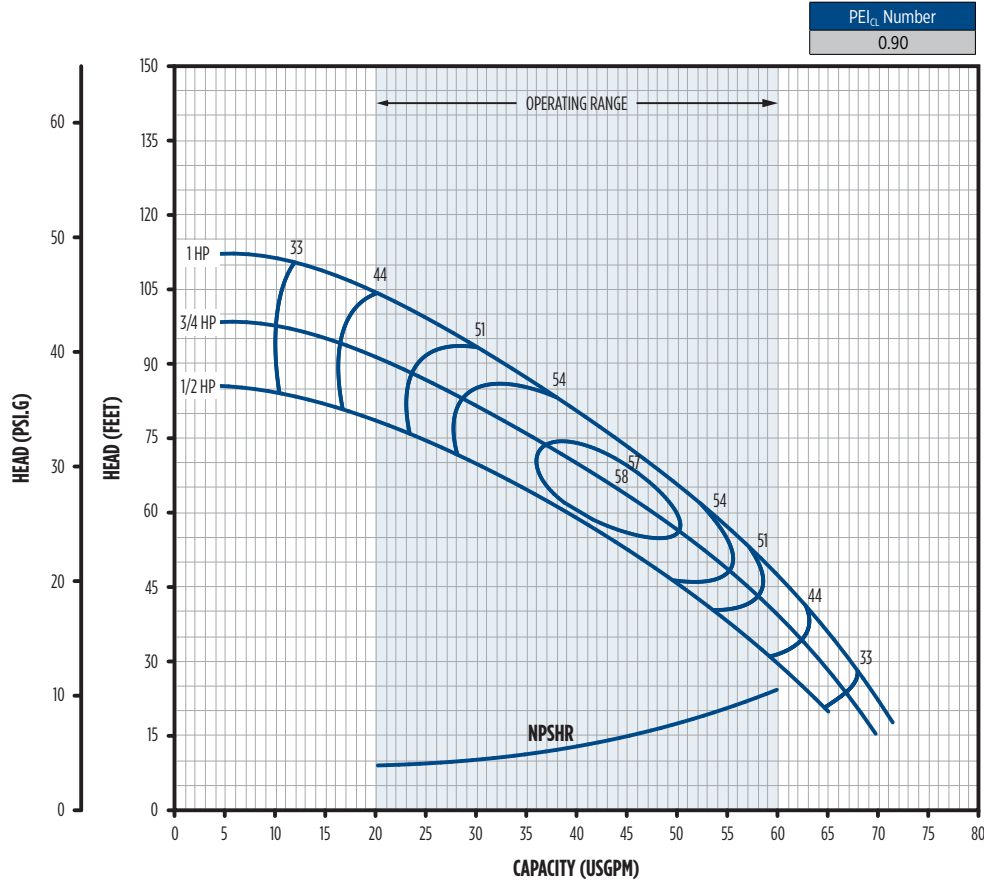
DIMENSIONS: DR2S SQUARE FLANGE



Model	HP	PH	L (in)	Suction	Discharge	Drain Ports (3)
DR2S1	1	1	15.48	1-1/2" NPT	1-1/4" NPT	1/4"
DR2S15	1-1/2		16.23			
DR2S2	2		17.45			
DR2S1	1	3	14.45			
DR2S15	1-1/2		15.45			
DR2S2	2		16.20			

CLOSE-COUPLED CENTRIFUGAL PUMPS - DR SERIES

PERFORMANCE: DRIS-CP



DRIS-CP	HP	PEI	Volute	Impeller	Seal Type	Fluid Max °F	Capacity in GPM at Total Feet of Head Indicated										Max (PSI)
							30	40	50	60	70	80	90	100	110	120	
DRIS05-CP	1/2	0.90	CI	PL	1	120	59.3	53.3	46.6	38.9	29.5	-	-	-	-	-	37.0
DRIS07-CP	3/4	0.90	CI	PL	1	120	63.9	58.9	53.5	47.5	40.6	32.3	20.9	-	-	-	42.0
DRIS1-CP	1	0.90	CI	PL	1	120	-	63.2	58.4	53.2	47.4	40.9	33.3	23.7	-	-	48.0

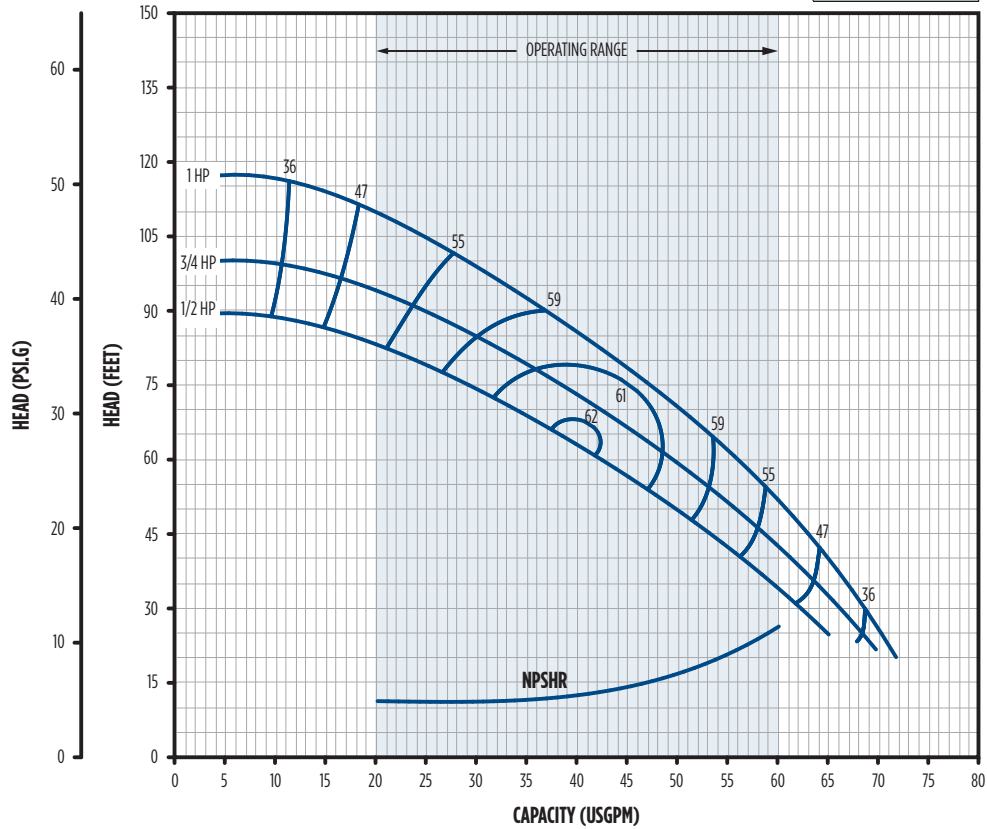
Enclosure	RPM	Phase	Voltage	HP	S.F.	S.F. Amps			Imp. Dia.	Order No.	Model No.	Wt. (lbs)
						115	230	460				
ODP	3600	1	115/230	1/2	1.90	12.4	6.1	-	4.70	97110005	DRIS05-CP	36
				3/4	1.65	14.8	7.3	-	5.00	97110007	DRIS07-CP	39
				1	1.65	19.9	9.9	-	5.36	97110010	DRIS1-CP	43
		3	230/460	1/2	1.90	-	3.1	1.4	4.70	97113005	DRIS05-CP-T	35
				3/4	1.65	-	3.6	1.7	5.00	97113007	DRIS07-CP-T	38
				1	1.65	-	4.7	2.3	5.36	97113010	DRIS1-CP-T	40

Volute	CI	Cast Iron, ASTM-A48, Class 30, 1-1/4" x 1"
Impeller	PL	Polyphenylene Ether Polystyrene Modified (PPE+PS 30%GF)
Mechanical Seal Types	1	Phenolic x Ceramic x Nitrile x SS
Motor Configurations	48Y	Square Flange with 1/2" threaded SS shaft, impeller mounts directly on motor shaft

CLOSE-COUPLED CENTRIFUGAL PUMPS - DR SERIES

PERFORMANCE: DRIS-SP

PEI_{CL} Number
0.87



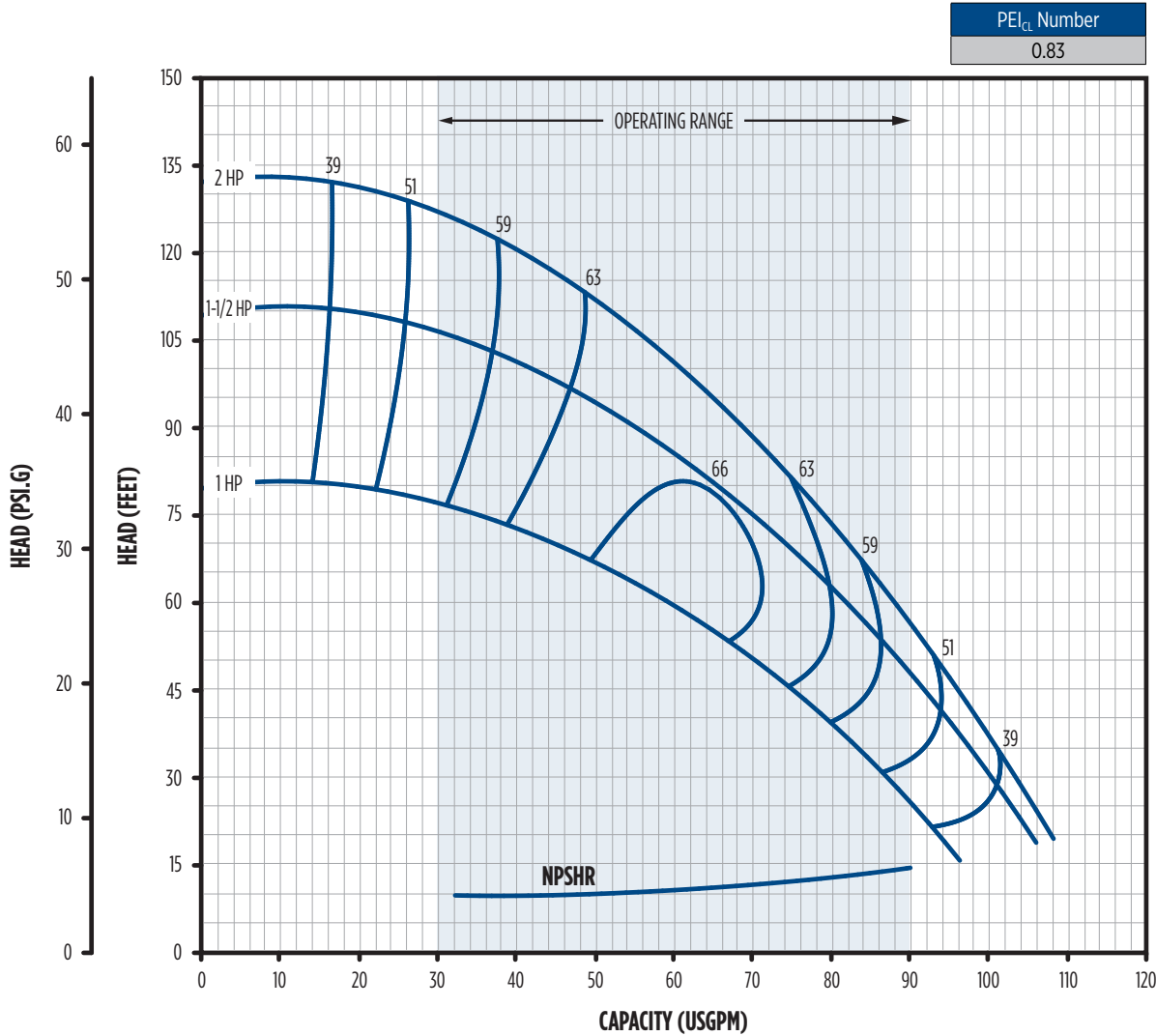
DRIS-SP	HP	PEI	Volute	Impeller	Seal Type	Fluid Max °F	Capacity in GPM at Total Feet of Head Indicated										Max (PSI)
							30	40	50	60	70	80	90	100	110	120	
DRIS05-SP	1/2	0.87	SS	PL	1	120	61.4	55.9	49.7	42.7	34.5	-	-	-	-	-	38.4
DRIS07-SP	3/4	0.87	SS	PL	1	120	65.7	60.6	55.2	49.1	42.2	33.9	23.0	-	-	-	42.8
DRIS1-SP	1	0.87	SS	PL	1	120	-	65.4	60.6	55.4	49.8	43.7	36.9	28.9	-	-	50.1

Enclosure	RPM	Phase	Voltage	HP	S.F.	S.F. Amps			Imp. Dia.	Order No.	Model No.	Wt. (lbs)
						115	230	460				
ODP	3600	1	115/230	1/2	1.90	12.4	6.1	-	4.70	97110105	DRIS05-SP	35
				3/4	1.65	14.8	7.3	-	5.00	97110107	DRIS07-SP	38
				1	1.65	19.9	9.9	-	5.36	97110110	DRIS1-SP	42
		3	230/460	1/2	1.90	-	3.1	1.4	4.70	97113105	DRIS05-SP-T	34
				3/4	1.65	-	3.6	1.7	5.00	97113107	DRIS07-SP-T	37
				1	1.65	-	4.7	2.3	5.36	97113110	DRIS1-SP-T	39

Volute	SS	Stainless steel, 1-1/4" x 1"
Impeller	PL	Polyphenylene Ether Polystyrene Modified (PPE+PS 30%GF)
Mechanical Seal Types	1	Phenolic x Ceramic x Nitrile x SS
Motor Configurations	48Y	Square Flange with 1/2" threaded SS shaft, impeller mounts directly on motor shaft

CLOSE-COUPLED CENTRIFUGAL PUMPS - DR SERIES

PERFORMANCE: DR2S-CS



DR2S-CS	HP	PEI	Volute	Impeller	Seal Type	Fluid Max °F	Capacity in GPM at Total Feet of Head Indicated										Max (PSI)
							30	40	50	60	70	80	90	100	110	120	
DR2S1-CS	1	0.83	CI	SS	1	120	86.6	78.7	69.8	59.2	45.4	-	-	-	-	-	34.5
DR2S15-CS	1-1/2	0.83	CI	SS	1	120	-	94.3	88.1	81.4	73.9	65.5	55.4	42.4	-	-	47.4
DR2S2-CS	2	0.83	CI	SS	1	120	-	-	93.3	87.8	82.0	75.7	68.8	61.0	51.9	40.5	57.3

Enclosure	RPM	Phase	Voltage	HP	S.F.	S.F. Amps			Imp. Dia.	Order No.	Model No.	Wt. (lbs)
						115	230	460				
ODP	3600	1	115/230	1	1.65	19.9	9.9	-	4.56	97130210	DR2S1-CS	46
				1-1/2	1.47	24.0	12.1	-	5.25	97130215	DR2S15-CS	46
			2	1.30	-	11.2	-	5.75	97130220	DR2S2-CS	54	
		3	230/460	1	1.65	-	4.7	2.3	4.56	97133210	DR2S1-CS-T	43
				1-1/2	1.47	-	6.8	3.3	5.25	97133215	DR2S15-CS-T	47
				2	1.30	-	8.5	4.2	5.75	97133220	DR2S2-CS-T	49

Volute	CI	Cast Iron, ASTM-A48, Class 30, 1-1/2" x 1-1/4"
Impeller	SS	Stainless Steel
Mechanical Seal Types	1	Phenolic x Ceramic x Nitrile x SS
Motor Configurations	48Y	Square Flange with 1/2" threaded SS shaft, impeller mounts directly on motor shaft

INLINE CONTROLS

Franklin Electric's Inline Controls include five pump starting and control devices that pair with a variety of submersible or surface pump up to 20 amps (or approximately 3 hp) to provide or boost the system's overall water pressure – and in many cases, without the need of an additional bladder tank. Depending on application requirements and selected model, the product family offers various forms of system protection, including dry run, dead head pumping, over amperage, locked system, and over pressurization. They also offer two unique features that ensure the system remains functional and hassle free, including: a daily motor rotation start designed to energize the motor at least once every 24 hours to prevent system locking, and a unique automatic restart feature eliminating the need to manually restart the pump in the case of an unexpected trip or fault.

FEATURES BY MODEL



Model Description	Flow Based Pump Activation	Run Dry Protection	Low-Pressure Backup Activation	Replaces Pressure Switch and Tank	Suction Lift	Includes Pressure Gauge	Adjustable Low-Pressure Backup Activation	Max. Pressure Regulation
Inline FLW	✓	✓		✓				
InlineSWC	✓	✓	✓	✓	✓			
InlineSWP	✓	✓	✓	✓	✓			
InlineADJ 115 V	✓	✓	✓	✓	✓	✓	✓	
InlineADJ 230 V	✓	✓	✓	✓	✓	✓	✓	
InlineCTL	✓	✓	✓	✓	✓	✓		✓

NOTE: Proper pump selection is essential for use with the Inline FLW, SWC, SWP, and ADJ as pump shut-off pressure will be realized within the system prior to shut down. If the pump size can not be reduced, select the Inline CTL with built-in pressure reducing valve.

TECHNICAL SPECIFICATIONS

Model Description	Motor Size		Voltage	Max. Current	Max. Temp.	Min. Flow (GPM)	Thread Size
InlineFLW	up to 1.5 hp	up to 1.1 kW	115/230	15 A	150 °F	0.15	1" MNPT
InlineSWC	up to 2 hp	up to 1.5 kW	115/230	16 A	150 °F	0.25	1" MNPT
InlineSWP	up to 3 hp	up to 2.2 kW	115/230	20 A	150 °F	0.25	1 ¼" MNPT
InlineADJ 115 V	up to 0.75 hp	up to 0.55 kW	115	16 A	150 °F	0.25	1" MNPT
InlineADJ 230 V	up to 2 hp	up to 1.5 kW	230	16 A	150 °F	0.25	1" MNPT
InlineCTL	up to 3 hp	up to 2.2 kW	115/230	20 A	150 °F	0.25	1 ¼" MNPT

INLINE CONTROLS - FLW

Use with a pressurized water supply such as an elevated tank or a municipal/utility source. The Inline Control FLW is a smart flow activated pump start control, designed for use in conjunction with a pump where starting and stopping the system based on water usage is desired.

FEATURES

- With flow of 0.15 gpm or greater the pump is activated to ensure continuous operation during water demand cycles
- Can be wired for 115V or 230V with no internal settings or wiring changes required
- Protects pump from conditions of dry run and pumping against a closed discharge (dead-head) by powering off the system when water flow stops
- If the pump remains idle for 24 consecutive hours, the device will carry out an autorun feature to keep the system free of debris and clogs
- Replaces the need for an external pressure tank and differential pressure switch

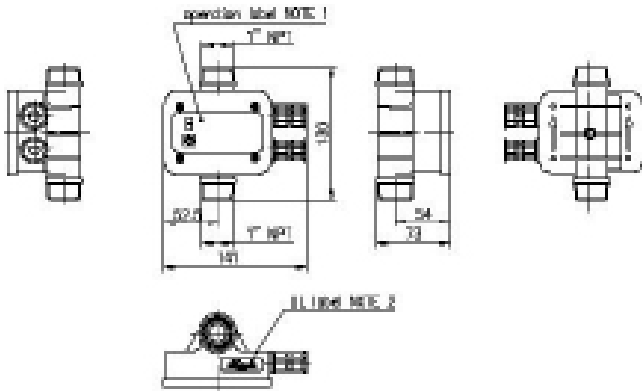


Model Description	Flow Based Pump Activation	Run Dry Protection	Low-Pressure Backup Activation	Replaces Pressure Switch and Tank	Suction Lift	Includes Pressure Gauge	Adjustable Low-Pressure Backup Activation	Max. Pressure Regulation
Inline FLW	✓	✓		✓				

NOTE: Proper pump selection is essential for use with the Inline FLW as pump shut-off pressure will be realized within the system prior to shut down. If the pump size cannot be reduced to a lower output performance within the systems pressure limits, select the Inline CTL with built-in pressure reducing valve.

ORDERING INFORMATION

Model Description	Order No.	Model No.	Motor Size	Voltage	Max. Current	Max. Temp.	Thread Size
InlineFLW	91987102	FIL-FLW15	0.75-1.5 hp (0.55-1.1 kW)	115/230	15 A	150 °F	1" MNPT



INLINE CONTROLS - SWC & SWP

Use with a pressurized water supply or suction lift installation for municipal and well supply sources. The Inline Control SWC and SWP are flow activated smart pump start controls, designed for use in conjunction with a pump where starting and stopping the system based on water usage is desired.

FEATURES

- With flow of 0.25 gpm or greater the pump is activated to ensure continuous operation during water demand cycles
- When flow is less than 0.25 gpm, the pump starts at a minimum pressure of 22 psi
- If the pump starts due to low system pressure, with no additional demand, the Inline SWC and SWP will only run the system to rebuild pressure
- Can be wired for 115V or 230V with no internal settings or wiring changes required
- Includes a convenient built-in check valve
- Protects pump from conditions of dry run, overcurrent, and pumping against a closed discharge (dead-head) by powering off the system when water flow stops
- If the pump remains idle for 24 consecutive hours, the device will carry out an autorun feature to keep the system free of debris and clogs
- The system will auto-rest up to 10 times in a 24 hour period if no water is detected, to protect the pump
- Replaces the need for an external pressure tank and differential pressure switch



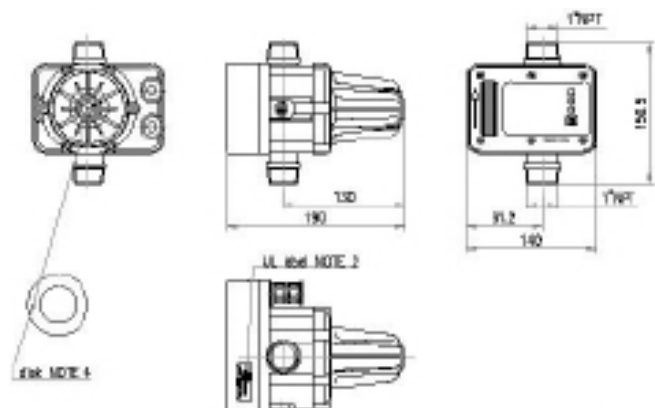
Model Description	Flow Based Pump Activation	Run Dry Protection	Low Pressure Backup Activation	Replaces Pressure Switch and Tank	Suction Lift	Includes Pressure Gauge	Adjustable Low-Pressure Backup Activation	Max. Pressure Regulation
InlineSWC	✓	✓	✓	✓	✓			
InlineSWP	✓	✓	✓	✓	✓			

NOTE: Proper pump selection is essential for use with the Inline SWC and SWP as pump shut-off pressure will be realized within the system prior to stopping the pump. If the pump size cannot be reduced to a lower output performance within the systems pressure limits, select the Inline CTL with built-in pressure reducing valve.

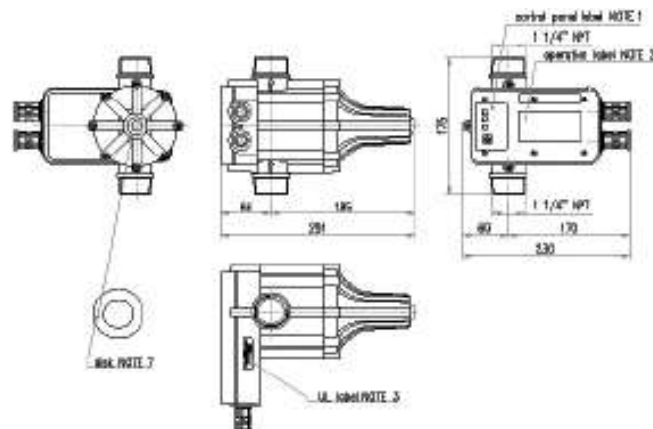
ORDERING INFORMATION

Model Description	Order No.	Model No.	Motor Size	Voltage	Max. Current	Max. Temp.	Thread Size
InlineSWC	91987103	FIL-SWC16	0.75-2 hp (0.55-1.5 kW)	115/230	16 A	150 °F	1" MNPT
InlineSWP	91987104	FIL-SWP20	1-3 hp (0.75-2.2 kW)	115/230	20 A	150 °F	1 1/4" MNPT

FIL-SWC16



FIL-SWP20



INLINE CONTROLS - ADJ

Use with a pressurized water supply or suction lift installation for municipal and well supply sources. The Inline Control ADJ is a smart flow activated pump start control, designed for use in conjunction with a pump where starting and stopping the system based on water usage is desired. With water flow being the primary system start command, the unit provides a backup low pressure cut-in point where the pump will start to repressurize the system. The InlineADJ allows this low pressure cut to be adjusted to 22, 29, or 36 PSI to ensure the system will still reach the desired shut-off pressure.

FEATURES

- With flow of 0.25 gpm or greater the pump is activated to ensure continuous operation during water demand cycles
- When flow is less than 0.25 gpm, the user may select between three adjustable cut-in points for a minimum system pressure of 22, 29, or 36 psi
- If the pump starts due to low system pressure, with no additional demand, the Inline ADJ will only run the system to rebuild pressure
- Separate models for 115V or 230V with no internal settings or wiring changes required
- Includes a convenient built-in check valve
- Protects pump from conditions of dry run, overcurrent, and pumping against a closed discharge (dead-head) by powering off the system when water flow stops
- If the pump remains idle for 24 consecutive hours, the device will carry out an autorun feature to keep the system free of debris and clogs.
- The system will auto-rest up to 10 times in a 24 hour period if no water is detected, to protect the pump
- Replaces the need for an external pressure tank and differential pressure switch



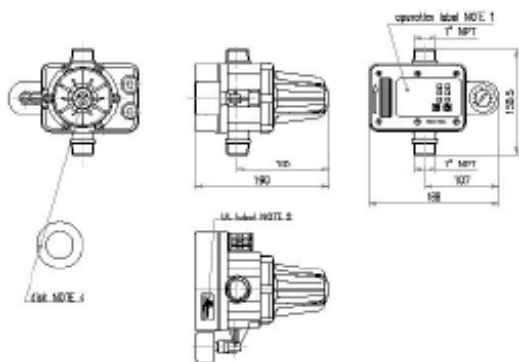
Model Description	Flow Based Pump Activation	Run Dry Protection	Low-Pressure Backup Activation	Replaces Pressure Switch and Tank	Suction Lift	Includes Pressure Gauge	Adjustable Low-Pressure Backup Activation	Max. Pressure Regulation
InlineADJ 115 V	✓	✓	✓	✓	✓	✓	✓	
InlineADJ 230 V	✓	✓	✓	✓	✓	✓	✓	

NOTE: Proper pump selection is essential for use with the Inline ADJ as pump shut-off pressure will be realized within the system prior to shut down. If the pump size cannot be reduced to a lower output performance within the systems pressure limits, select the Inline CTL with built-in pressure reducing valve.

ORDERING INFORMATION

Model Description	Order No.	Model No.	Motor Size		Voltage	Max. Current	Max. Temp.	Thread Size
InlineADJ 115 V	91987105	FIL-ADJ16-1G	0.75 hp	(0.55 kW)	115	16 A	150 °F	1" MNPT
InlineADJ 230 V	91987106	FIL-ADJ16-2G	2hp	(1.5 kW)	230	16 A	150 °F	1" MNPT

FIL-ADJ16-1G and FIL-ADJ16-2G



INLINE CONTROLS - CTL

Use with a pressurized water supply or suction lift installation for municipal and well supply sources. The Inline Control CTL is a smart flow activated pump start control, designed for use in conjunction with a pump where starting and stopping the system based on water usage is desired. By turning the dial on the back of the unit the maximum system pressure may be regulated within the pump's output range to match the application's need.

FEATURES

- With flow of 0.25 gpm or greater the pump is activated to ensure continuous operation during water demand cycles
- Built-in pressure reducing valve to allow for customization of maximum output pressure
- Can be wired for 115V or 230V with no internal settings or wiring changes required
- If the pump starts due to low system pressure, with no additional demand, the Inline SWC and SWP will only run the system to rebuild pressure
- Protects pump from conditions of dry run, over pressure, and pumping against a closed discharge (dead-head) by powering off the system when water flow stops
- If the pump remains idle for 24 consecutive hours, the device will carry out an autorun feature to keep the system free of debris and clogs
- Replaces the need for an external pressure tank and differential pressure switch
- Includes a convenient built-in check valve
- Adjust knob to set the pump's maximum output pressure at a desired regulation point to prevent system over-pressurization

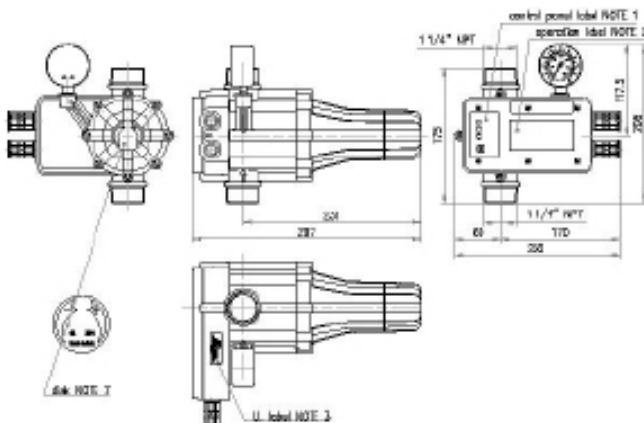


Model Description	Flow Based Pump Activation	Run Dry Protection	Low-Pressure Backup Activation	Replaces Pressure Switch and Tank	Suction Lift	Includes Pressure Gauge	Adjustable Low-Pressure Backup Activation	Max. Pressure Regulation
InlineCTL	✓	✓	✓	✓	✓	✓	✓	✓

ORDERING INFORMATION

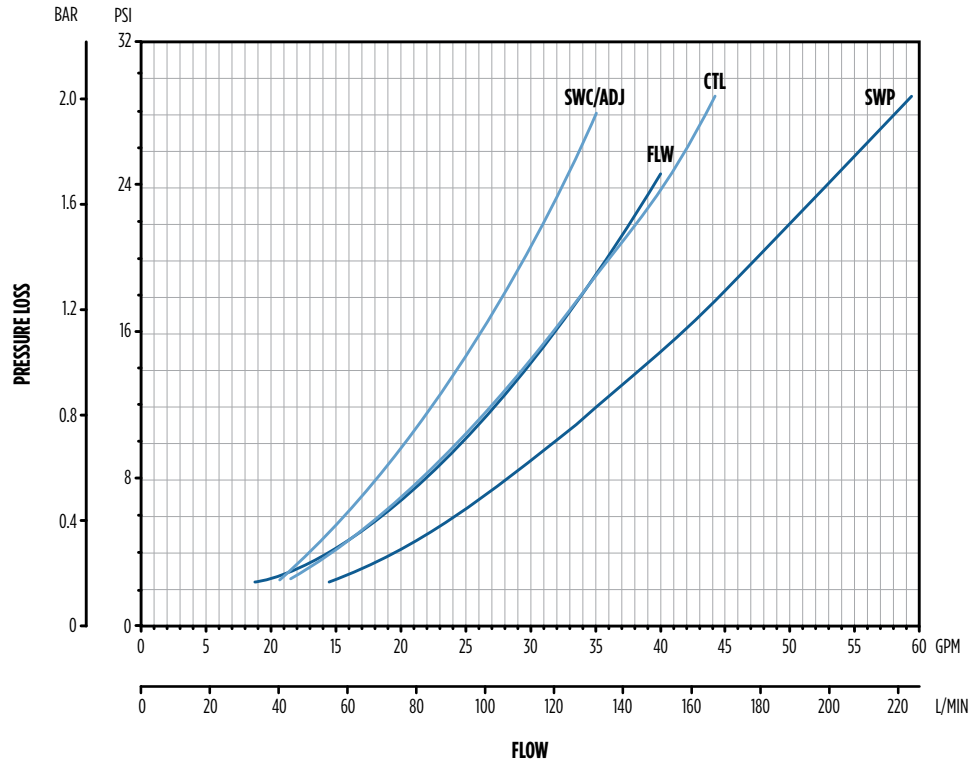
Model Description	Order No.	Model No.	Motor Size	Voltage	Max. Current	Max. Temp.	Thread Size
InlineCTL	91987107	FIL-CTL20	1-3 hp (0.75-2.2 kW)	115/230	20 A	150 °F	1 1/4" MNPT

FIL-CTL20



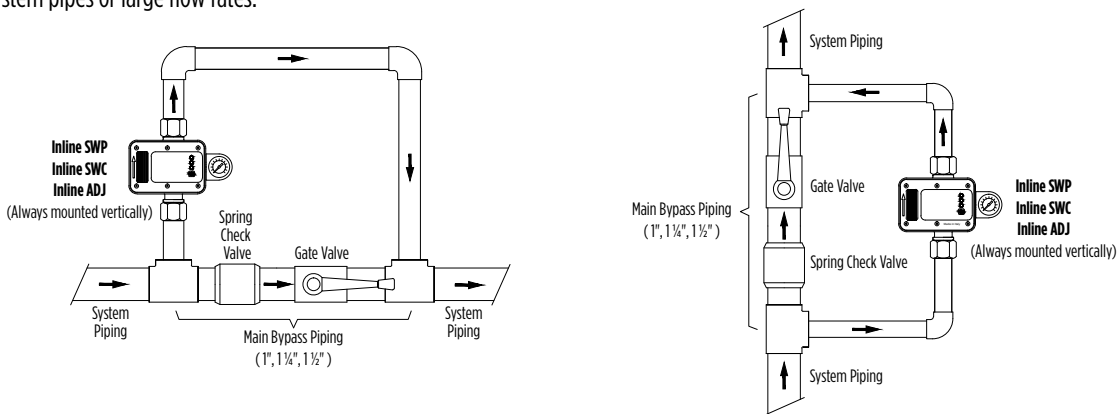
INLINE CONTROLS

FRICITION LOSS



OPTIONAL BYPASS INSTALLATION

For large system pipes or large flow rates.



FRICITION LOSS w/ OPTIONAL BYPASS

Device	Flow Rate (gpm)						
	20	30	40	50	60	70	80
1" x 1"	3 psi	5 psi	9 psi	14 psi	19 psi	-	-
1" x 1 1/4"	2 psi	2 psi	3 psi	5 psi	8 psi	10 psi	12 psi
1" x 1 1/2"	2 psi	2 psi	3 psi	4 psi	6 psi	7 psi	8 psi

The main bypass piping must not exceed 1 1/2", while the system piping could be larger.

INLINE PRESSURE BOOSTING - INLINE 400

FEATURES

- Utilizes proven Franklin Electric pump and motor to create the most trustworthy product on the market
- Simple flow-based controls mean you get the pressure every time you need it
- Protective cap comes standard for outdoor use (for vertical applications only)
- Whisper-quiet operation
- Installs vertically or horizontally
- 1 - 1/4" NPT inlet and outlet
- 115 V and 230 V models available
- Plug-in electrical cord connected unit
- Protective features: Over/Under voltage protection, dry run, and over temperature
- Product power rating: 1/3 hp, 0.246 kW
- Maximum Water Temperature: 120 °F/49 °C

APPLICATIONS

- City water pressure boosting
- Pressurize water from cistern tank
- Re-pressurizing after filtration
- Irrigation system boosting

ORDERING INFORMATION

Model Description	Order No.	HP	Input Voltage
Inline 400 115 V	92061501	1/3	115 V
Inline 400 230 V	92061502	1/3	230 V

REPLACEMENT PARTS & KITS

Model Description	Order No.
Tank Wrench	305572001
Pressure Switch	305572007
Replacement Tank	305572009
Replacement Cover	305572010
Replacement Base	305572011
Motor Capacitor - 115 V	305572012
Motor Capacitor - 230 V	305572013
Power Cord - 115 V	305572014
Power Cord - 230 V	305572015
Flow Piston Kit	305572016
Tank O-ring	305572017
Outdoor Protective Cap Kit	305572018
Expansion Tank, 2 Liter, 1" MNPT Connection	305572026



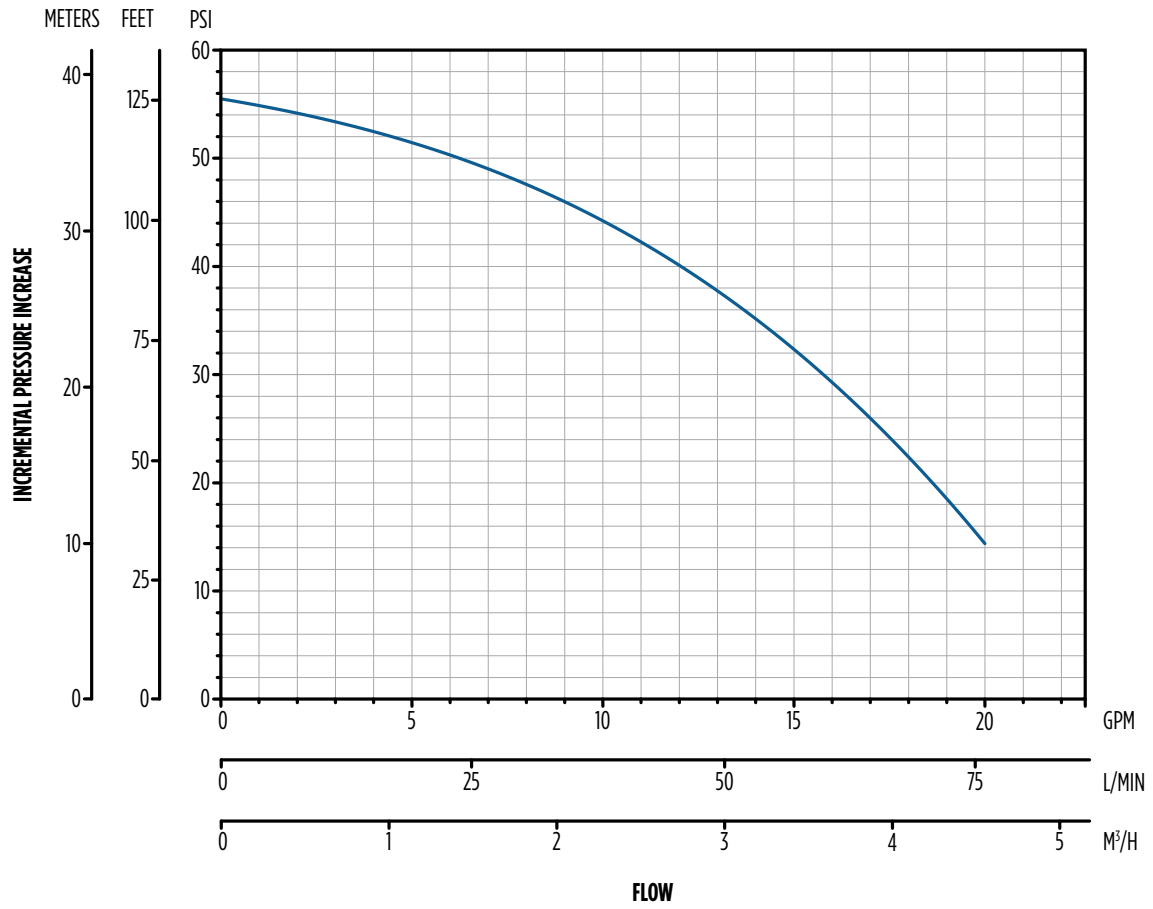
WATER QUALITY
MECHANICAL DEVICE
NSF/ANSI 61 & 372
COLD WATER 6R21



Protective Cap

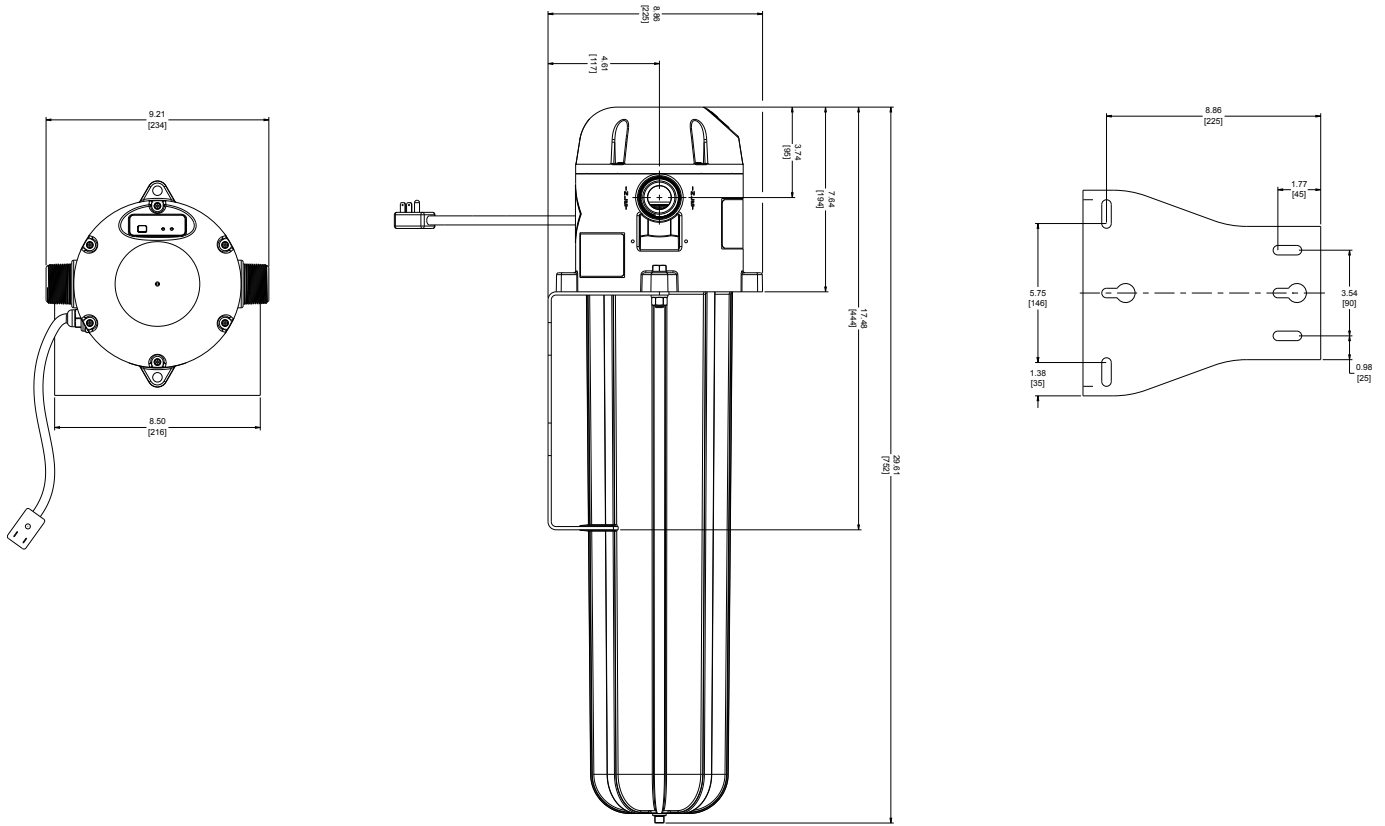
INLINE PRESSURE BOOSTING - INLINE 400

PERFORMANCE

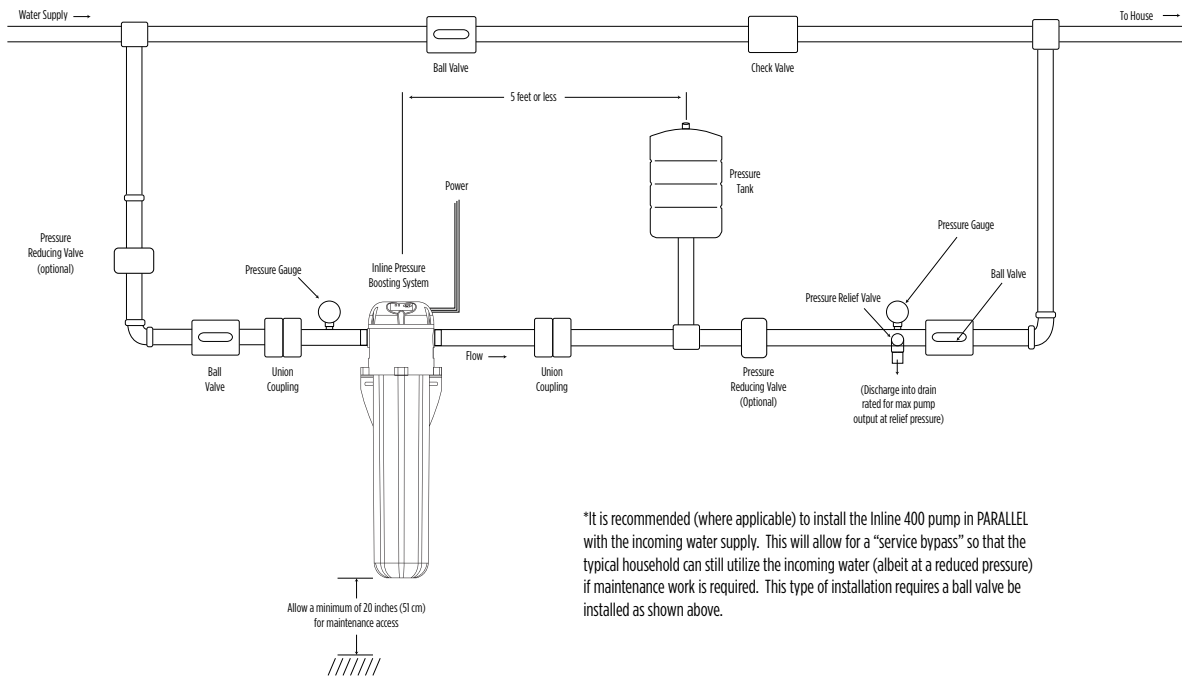


INLINE PRESSURE BOOSTING - INLINE 400

DIMENSIONS



TYPICAL INSTALLATION



"It is recommended (where applicable) to install the Inline 400 pump in PARALLEL with the incoming water supply. This will allow for a "service bypass" so that the typical household can still utilize the incoming water (albeit at a reduced pressure) if maintenance work is required. This type of installation requires a ball valve be installed as shown above.

INLINE CONSTANT PRESSURE - INLINE 1100

The Inline 1100 provides constant pressure for both private wells and municipal/city water systems.

FEATURES

- Pump, motor, drive, and pressure switch in one box as a packaged system
- Small and compact design fits into small areas, even between floor joists
- Stainless steel construction for years of operation
- Simple and easy installation with step-by-step illustrated instructions
- Integrated motor design allows water to flow around it for quiet and cool operation
- NEMA 4 (IP56) electronics enclosure
- Multiple mounting configurations allow for the unit to be installed where you need it, whether horizontal, vertical, or even upside down
- Built-in system protections guard against many common failure modes including surge protection, voltage underload, locked pump, open circuit, short circuit, and overheated controller
- Product power rating: 1.5 hp (1.1 kW)
- Shipping weight: 50 lbs, 22.7 kg



APPLICATIONS

- Boosted and constant water pressure from water storage/cistern systems
- Homes (both private and municipal applications)
- General pressure boosting
- Sprinkler systems
- Farming and commercial wash down systems

ORDERING INFORMATION

Model Description	Order No.	Input Voltage	Input Phase
25SDIL1100N4* (Complete pump w/NPT)	90401101	230	Single

*Includes pump, motor, drive, pressure switch, and all cables

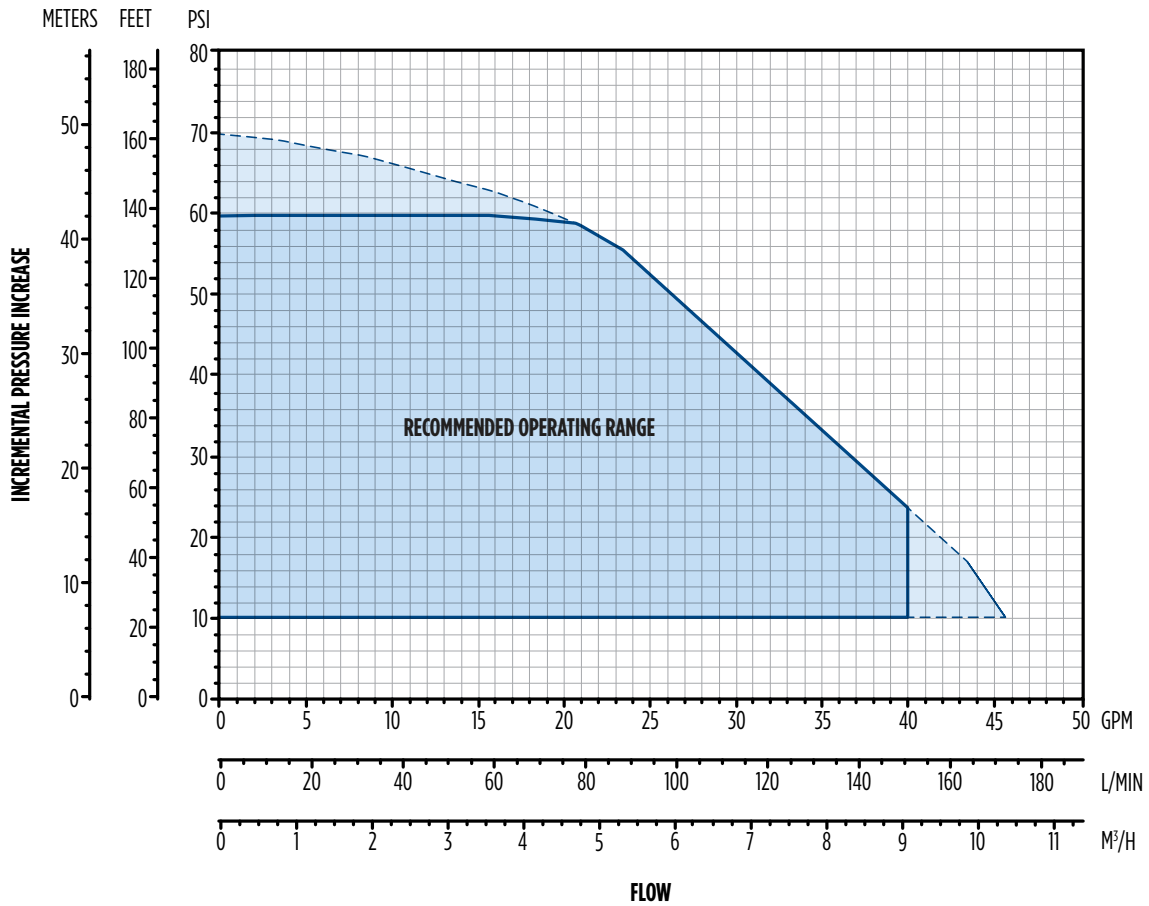
ACCESSORIES & REPAIR KITS

Model Description	Order No.	Input Voltage	Input Phase
Drive Assembly	305707907	230	Single
Pump Motor Assembly	305707902	230	Single
Mounting Feet	305707903	N/A	N/A
Pressure Switch	305707906	N/A	N/A
Pressure Tank (2-gallon)	305707910	N/A	N/A
Fastener Kit	305707904	N/A	N/A
Pressure Switch Cable	305707905	N/A	N/A
Overpressure Switch*	305707909	N/A	N/A
Overpressure Switch Cable*	305707908	N/A	N/A
Overpressure Switch & Cable Combo*	305707912	N/A	N/A
Duplex Alternator	5850012000	115	Single
Kit O-Ring (NBR)	14221002	N/A	N/A
Kit Mechanical Seal	14222023	N/A	N/A
Kit Ball Bearings	14231001	N/A	N/A

*Overpressure switch is sold as an accessory and is not required for normal operation

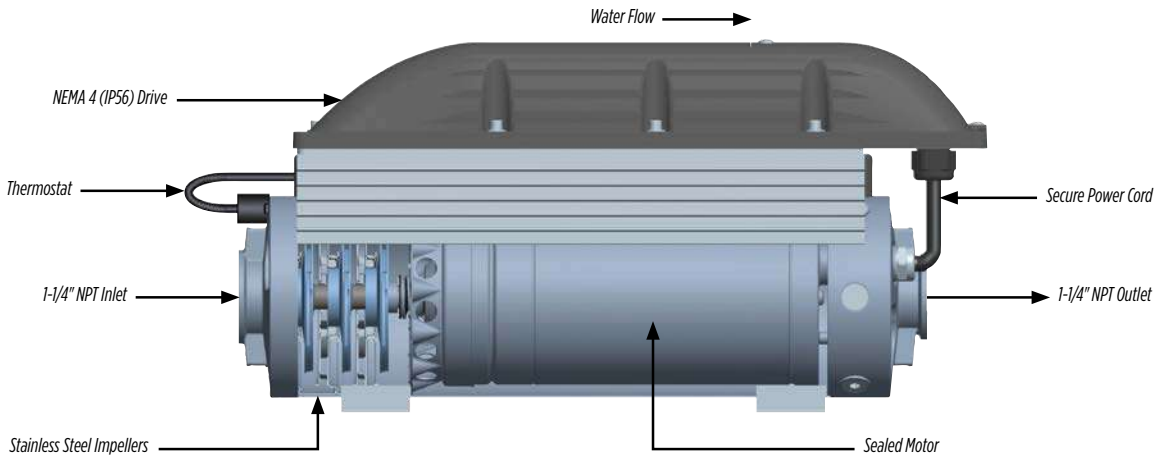
INLINE CONSTANT PRESSURE - INLINE 1100

PERFORMANCE



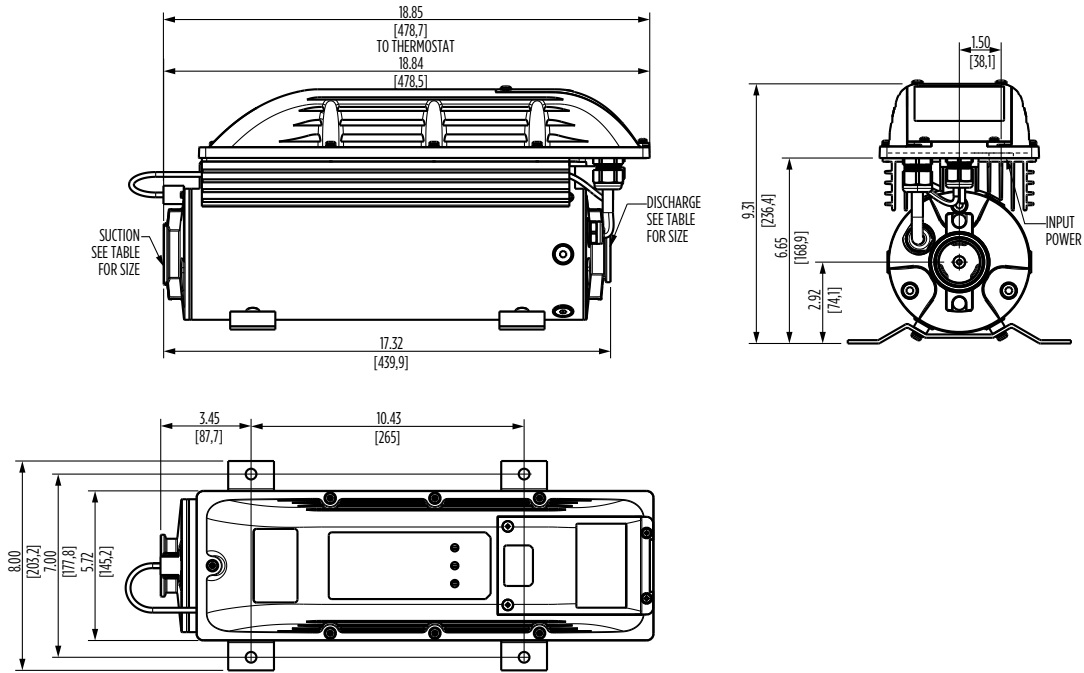
NOTE: Running outside of 'Recommended Operating Range' for short periods of time is permissible.

SYSTEM COMPONENTS

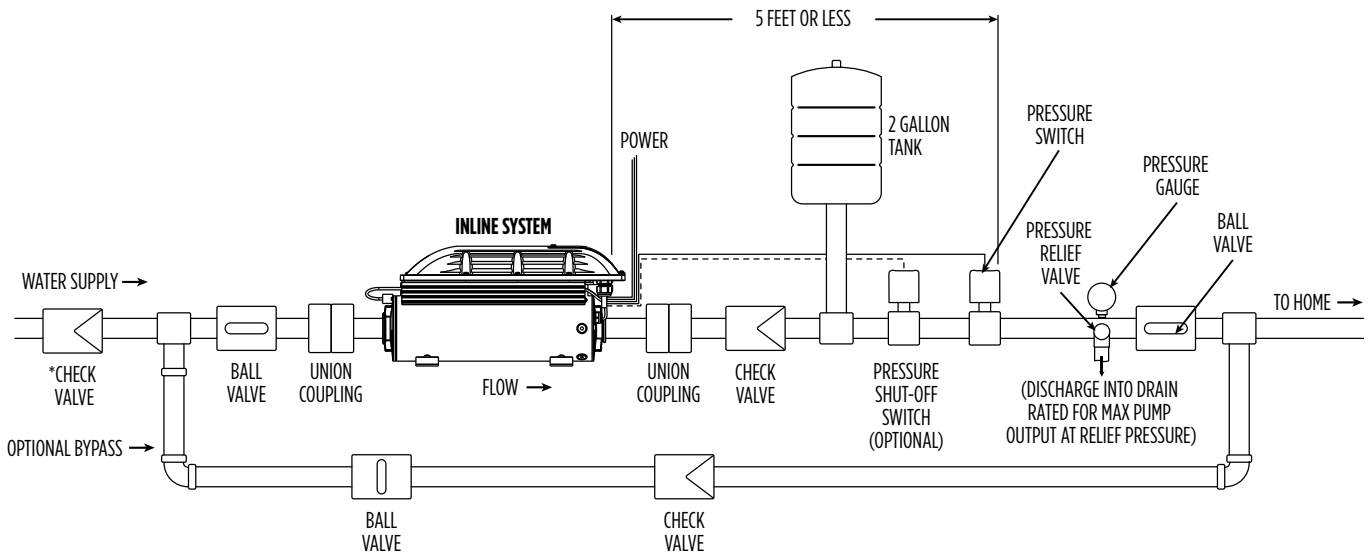


INLINE CONSTANT PRESSURE - INLINE 1100

DIMENSIONS



TYPICAL INSTALLATION



NOTE: These optional components are shown in a typical installation diagram. They should be used at the installer's discretion as required for particular applications.
 * When connected to a municipal system, if the plumbing does not have a backflow prevention device, a check valve is required on the incoming water supply line.
 If installed on a cistern, the check valve should be passive or be eliminated.

INLINE CONTROL PACKAGES - MH & VERSAJET WITH SWC CONTROL

Specifically built for water pumping applications, the Inline Control Packages are comprised of two proven products that have been combined, optimized, and engineered to work together by Franklin Electric—a trusted pump manufacturer with more than 75 years of industry expertise.

FEATURES AND BENEFITS

- Simple Installation: Packages come complete without the need for on-site wiring—just plug and play
- Pressure Boosting: Boosts water pressure with consistent output and no maintenance
- Simplified Inventory: Convenient, preassembled packages reduce the total number of SKUs
- Reduced Footprint: Eliminates the need for a pressure switch and, in most instances, a pressure tank
- Pump Protection: The control provides run-dry protection to the pump and an auto-run feature to keep the system free of debris and clogs if idle for more than 24 hours
- Fully Supported: Comes fully supported by the industry’s leading Technical Support professionals and Field Service Engineers



MH PUMP AND SWC CONTROL PACKAGES

APPLICATIONS

- Pressure boosting
- Wash-down applications
- Reverse osmosis/other applications where space is limited
- Turf irrigation/residential lawn sprinkler systems
- Commercial water features

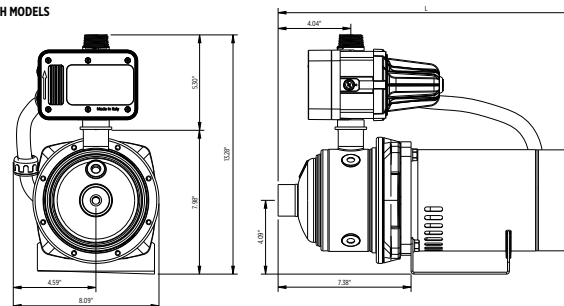
ORDERING INFORMATION

Package Model	HP	Voltage	Order No.	Pump	Control
15FMH05S2-SWC	0.5	115V	96061505	MH 15 gpm 1/2 hp	Inline SWC
15FMH07S3-SWC	0.75		96061506	MH 15 gpm 3/4 hp	

DIMENSIONS

Package Model	HP	Length "L"	Wt. (lbs)
15FMH07S3-SWC	0.5	16.75"	24
15FMH05S2-SWC	0.75	17.5"	27

15MH MODELS



VERSAJET PUMP AND SWC CONTROL PACKAGES

APPLICATIONS

- Water lift from cisterns
- Driven point wells
- Water transfer and recirculation
- General pumping where space is limited

ORDERING INFORMATION

Package Model	HP	Voltage	Order No.	Pump	Control
FVJ05CI-SWC	0.5	115V	91180105	VersaJet 1/2 hp	Inline SWC
FVJ07CI-SWC	0.75		91180107	VersaJet 3/4 hp	

DIMENSIONS

Package Model	HP	Length "L"	Wt. (lbs)
FVJ05CI-SWC	0.5	17.25"	31
FVJ07CI-SWC	0.75	18.00"	34

FVJ MODELS

